



B-TECH AV MOUNTS

B-TECH AV MOUNTS

**POP-IN,  
 POP-OUT  
 MOUNT**

# BT8310

## POP-OUT VIDEOWALL MOUNT

Designed to make videowall installations as quick and simple as possible, this modular videowall mount can be used to create unlimited videowall configurations in both landscape and portrait format. The BT8310 features a pop-in, pop-out system which enables quick and easy access to the rear of mounted screens for servicing and maintenance and 8 point micro-adjustment, making accurate screen alignment quick and easy.

### SPECIFICATION

For screen sizes	42" - 75"
Max load	70kg
VESA® compatibility as standard	200 x 100 up to 400 x 400
VESA® compatibility with included adaptors	up to 600 x 400*
Depth flat	101mm* (+/-7mm with micro-adjustment)
Depth popped out	293mm* (+/-7mm with micro-adjustment)
Screen height adjustment	+15mm

### FEATURES

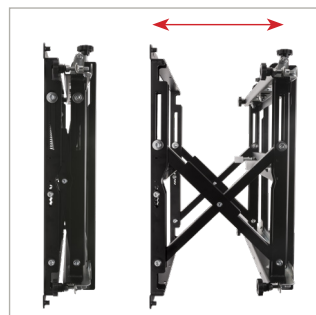
- Modular mount for unlimited wall display configurations
- Suitable for landscape or portrait screen mounting
- Push to open / push to close system provides quick and easy service access
- Tool-less micro-adjustments at 8 points for seamless display alignment
- Suitable for both wall or pole mounting
- Integrated cable management
- Screen specific wall plate spacers (available separately) dramatically shorten install times by eliminating guesswork and on-site calculations
- Perfect solution for mounting screens into a recessed wall
- Locking kit (**BT8310-LK**) to prevent accidental pop-out of mount is also available (separately)
- Safety screws help prevent unauthorised removal of screens
- Includes Interface Adaptor Arms as standard (pictured below) for use with screens with VESA 600 x 400 fixings
- All mounting hardware included



*\*Please note using the included Interface Adaptor Arms to mount VESA 600 x 400 screens will increase the total depth of the product by 6mm, for a total depth of 107mm, or 299mm whilst popped out (+/-7mm micro-adjustment).*



Modular mount allows videowall assembly in an unlimited number of configurations



Push to open / push to close system provides quick and easy service access



Tool-less micro-adjustment at 8 points for seamless display alignment

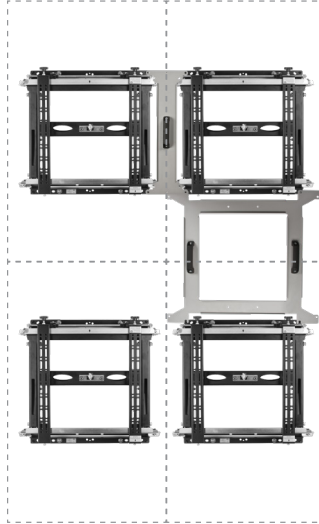


Optional Interface Adaptors for VESA 600 x 400 fixings included as standard

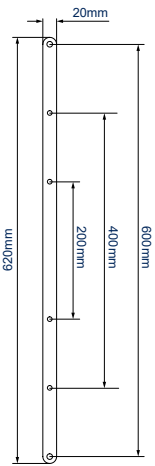
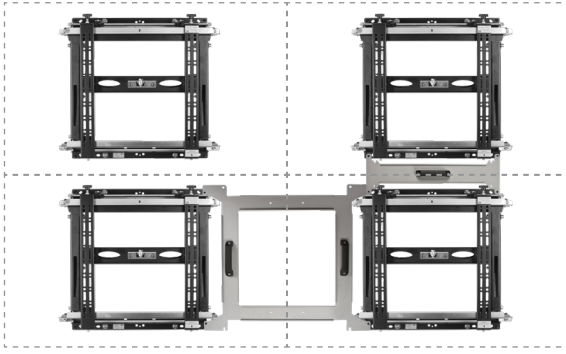
### Custom Wall Plate Spacers

Wall plate spacers are available for the BT8310 and eliminate tedious alignment calculations, meaning less time is wasted through measuring and 'guesswork'. These spacers are available to order separately and are screen specific for all popular brands such as LG, Samsung, Phillips, Sharp and NEC. To find out which spacer kit is needed for a specific screen please visit [www.btechavmounts.com/BT8310](http://www.btechavmounts.com/BT8310) or scan the QR code below.

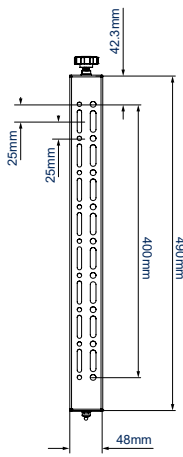
### Mounting with Spacers - Portrait



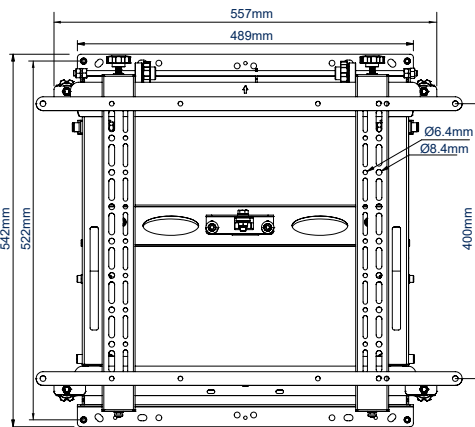
### Mounting with Spacers - Landscape



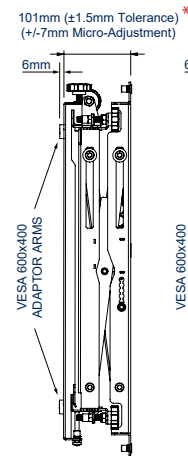
ADAPTOR ARMS



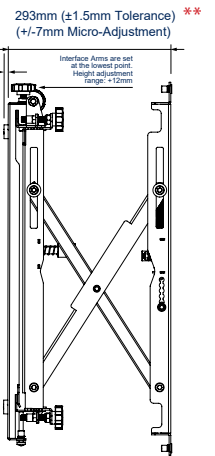
INTERFACE ARM



FRONT VIEW WITH ADAPTOR ARMS



SIDE VIEW CLOSED



SIDE VIEW EXTENDED

\*Total depth increased to **107mm** (+/-7mm micro-adjustment) when using VESA 600 x 400 adaptors

\*\*Total depth increased to **299mm** (+/-7mm micro-adjustment) when using VESA 600 x 400 adaptors

### PACKING INFORMATION

COLOUR:	ORDER REF:	EAN CODE:	MASTER CARTON QTY:	INNER CARTON QTY:	MASTER CARTON WEIGHT:	MASTER CARTON CUBE
Black	BT8310/B	5019319079985	1	0	15kg	0.054cbm

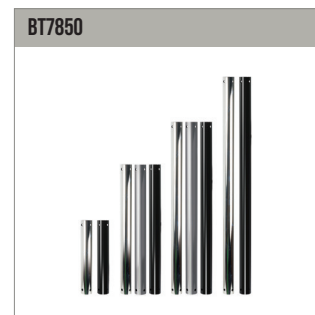
### ACCESSORIES AND RELATED PRODUCTS



**BT8310-LK**  
Locking Kit for BT8310 & BT8310XL for disabling the pop-in / pop-out feature



**BT7807**  
Heavy Duty Twin Pole Ceiling / Floor Mount for Ø50mm poles



**BT7850**  
Ø50mm Pole available in 0.25m, 0.5m, 1m, 2m and 3m



**BT7565 / BT7566**  
Interface Adapter Arms enable VESA fixings to be increased

© 2019 B-Tech International Pty Ltd. All rights reserved. The information in this specification reflects the current technical specifications at the time of print. We reserve the right to change the technical specifications without prior notice. This B-Tech logo and the B-Tech name are registered trademarks of B-Tech International Design & Manufacturing Limited. B-Tech, B-Tech logo and the B-Tech name are registered trademarks of B-Tech International Design & Manufacturing Limited. Any reproduction or transmission or republishing of any part of this specification is expressly prohibited, unless prior written permission has been granted by B-Tech International Design & Manufacturing Limited. E&OE.

SS-V7.2-BT8310-190822