



**MOUNTS
UP TO VESA
600 X 400**

BT8311

VIDEO WALL MOUNT

Designed to make video wall installations as quick and simple as possible, this modular video wall mount can be used to create unlimited video wall configurations in both landscape and portrait format. The tool-less 8 point micro-adjustment makes accurate screen alignment quick and easy. The BT8311 can also be used in conjunction with the BT8310 pop-in, pop-out video wall mount to allow easier access behind screens for maintenance.

SPECIFICATION

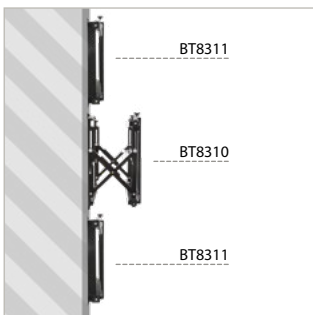
Recommended screen size	42" - 70"
Max load	75kg
VESA® compatibility as standard	200 x 200 up to 400 x 400
VESA® compatibility with included adaptors	up to 600 x 400*
Distance from wall	97.5mm (+/- 7.5mm with micro-adjustment)
Screen height adjustment	+15mm

FEATURES

- Modular mount for unlimited wall display configurations
- Suitable for landscape or portrait screen mounting
- Can be used in conjunction with the BT8310 pop-in, pop-out videowall mount to allow access to micro-adjustment in configurations with more than two rows
- Tool-less micro-adjustments at 8 points for seamless display alignment
- Suitable for both wall or pole mounting
- Integrated cable management for a neat and tidy installation
- Screen specific wall plate spacer kits (available separately) dramatically shorten install times by eliminating guesswork and on-site calculations
- Safety screws help prevent unauthorised removal of screens
- Includes Interface Adaptor Arms as standard for use with screens with VESA 600 x 400 fixings
- Adaptor arms for VESA 800 x 400 fixings (**BT7565**) available separately



**Please note using the included interface adaptor arms to mount VESA 600 x 400 screens will increase the total depth of the product by 6mm, for a total depth of 103mm*



Can be used in conjunction with the BT8310 pop-in, pop-out video wall mount



Safety screws help prevent unauthorised removal of screens



Tool-less micro-adjustment at 8 points for seamless display alignment

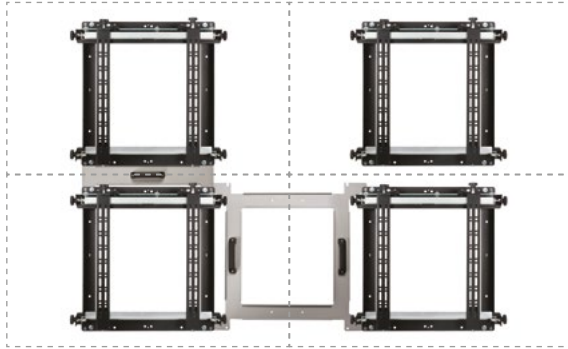


Optional interface adaptors for VESA 600 x 400 fixings included as standard

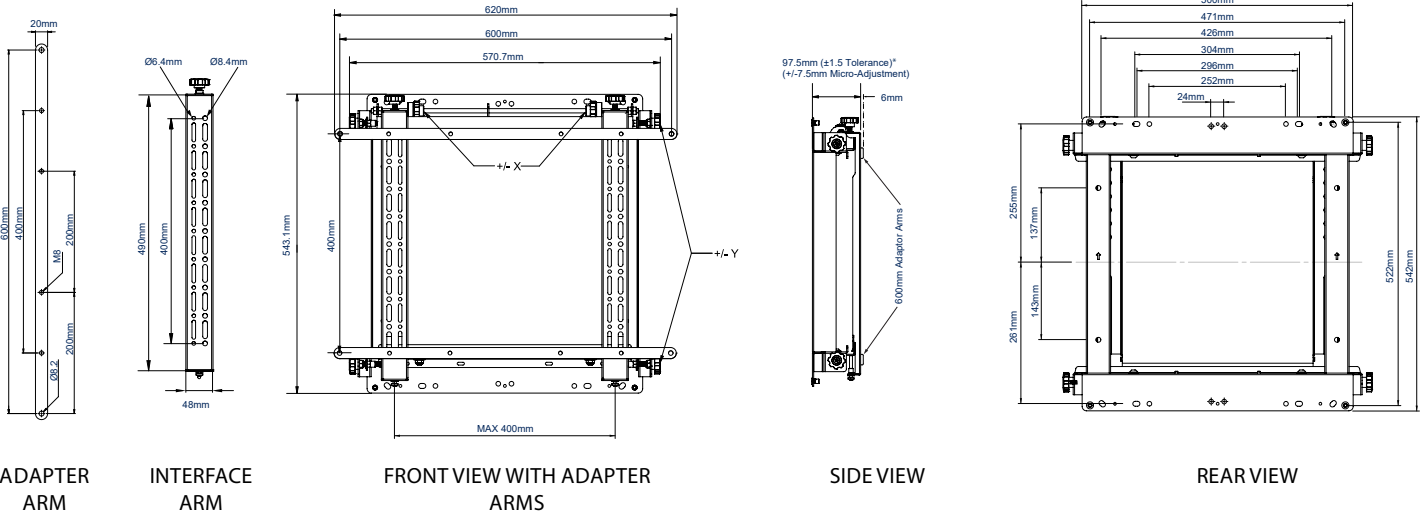
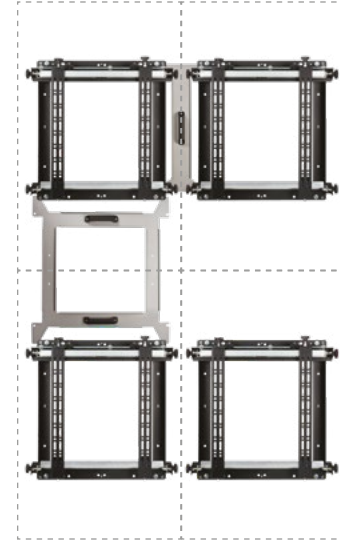
Custom Wall Plate Spacers

Wall plate spacers are available for the BT8311 and eliminate tedious alignment calculations, meaning less time is wasted through measuring and 'guesswork'. These spacers are available to order separately and are screen specific for all popular brands such as LG, Samsung, Phillips, Sharp and NEC. To find out which spacer kit is needed for a specific screen please visit www.btechavmounts.com/BT8311 or scan here

Mounting with Templates - Landscape



Mounting with Templates - Portrait



**Total depth increased to 103.5mm (+/-7.5mm micro-adjustment) when using VESA 600 x 400 adaptors*

PACKING INFORMATION

ORIGINAL DESIGN BY B-TECH - REGISTERED COMMUNITY DESIGN NO.: 002445890-0001

COLOUR:	ORDER REF:	EAN CODE:	MASTER CARTON QTY:	INNER CARTON QTY:	MASTER CARTON WEIGHT:	MASTER CARTON CUBE
Black	BT8311/B	5019318089701	1	0	12kg	0.058cbm

RELATED PRODUCTS TO THE BT8311



BT8310
Pop-In, Pop-Out Video Wall Mount for screens up to 75kg (per screen)

BT7822
Heavy Duty Floor / Ceiling Mount can be used in conjunction with B-Tech poles and collars to create pole mounted solutions

BT7841
50mm Accessory Collar for fixing mounts & accessories to Ø50mm poles

BT7850
50mm Diameter Poles are available in a choice of 6 lengths and can be used to create multiple pole mounted solutions

© 2019 B-Tech Av Mounts. All rights reserved. The information in this specification sheet reflects the current technical specification and is subject to change without notice. B-Tech Av Mounts is a registered trademark of B-Tech Av Mounts. All other trademarks are the property of their respective owners. B-Tech Av Mounts is not responsible for any damage caused by improper use, installation or modification of any part of this specification sheet. It is the user's responsibility to ensure that the product is used in accordance with the instructions provided. B-Tech Av Mounts is not responsible for any damage caused by the use of the product in an environment where the product is not intended to be used.

SS-V3-BT8311-010819