



QUICK  
AND EASY  
INSTALLS

# BT8330

## UNIVERSAL MENU BOARD MOUNTING SYSTEM

The BT8330 is a modular wall mounting system for menu board installations of any size. The BT8330 can mount screens in landscape or portrait orientations with the option for tilt adjustment up to +20° for enhanced overhead visibility, perfect for fast food restaurants. As part of the System X range, the BT8330 can be used in thousands of different configurations and must be ordered according to your requirements using B-Tech's online configuration tool (see below, right).

### SPECIFICATION

Recommended screen size	32" - 75"
Max load	50kg per screen
VESA® & non-VESA fixings	up to 900mm*
Tilt (tilt arms only)	+20°
Distance from wall (fixed arms)	47mm
Distance from wall (tilt arms)	57.4mm
Distance from wall (micro-adjustment arms)	85mm (+/-10mm)
Colour (VESA arms)	Black
Colour (horizontal rail)	Silver or Black

### FEATURES

- Universal design suitable for all sized screens up to 50kg (per screen)
- High-end aesthetic quality
- Suitable for landscape or portrait mounting
- Choice of fixed or tilting interface arms available to suit a range of installs
- Can be used with BT8390-VESA400MAF micro-adjustment arms if desired
- All arms feature levelling screws to adjust the screen height
- Tilting arms feature up to +20° tilt adjustment for enhanced overhead visibility
- Multiple rail lengths available (rails can be also be joined)
- TUV certified

\*Refers to maximum vertical fixing dimension. Correctly sized interface arms and adaptors will be supplied as necessary to suit the mounting pattern you require.



SYSTEM X TUV Rheinland CERTIFIED

75" 190CM VESA 900 50KG 20°

### CREATE YOUR MOUNTING SYSTEM ONLINE

SPECIFY YOUR VIDEO WALL & MENU BOARD REQUIREMENTS ONLINE AND OUR SYSTEM X CONFIGURATION TOOL WILL CREATE A MOUNTING KIT TO SUIT YOUR NEEDS

There are thousands of System X configurations available! Visit our online configuration tool to specify setups, number of screens, number of rows and orientation.

Try now at [www.btechavmounts.com/systemx-configurator](http://www.btechavmounts.com/systemx-configurator)



Choice of fixed, tilting or pop-out interface arms available to suit a range of installs



Suitable for landscape or portrait mounting



Multiple rail lengths available (rails can also be joined to create larger installs)



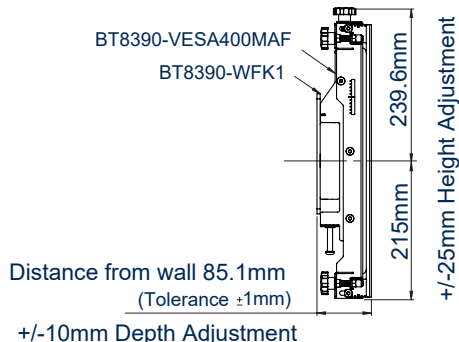
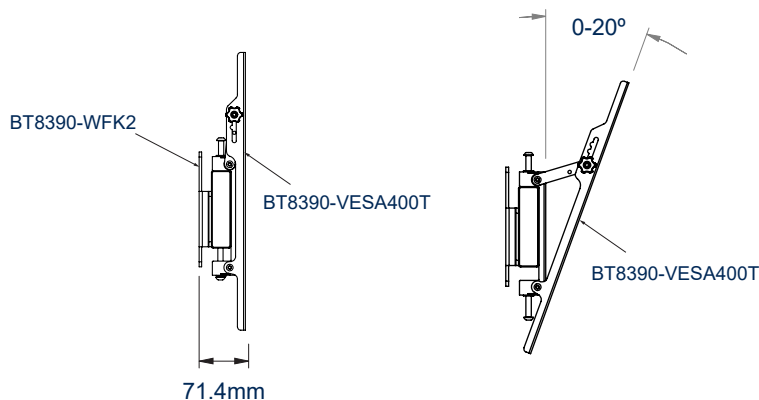
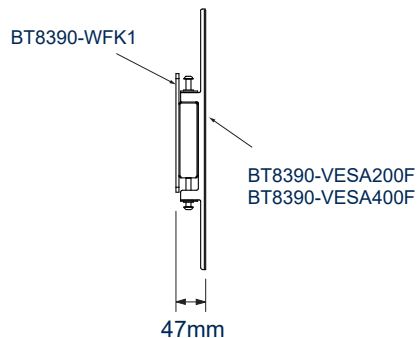
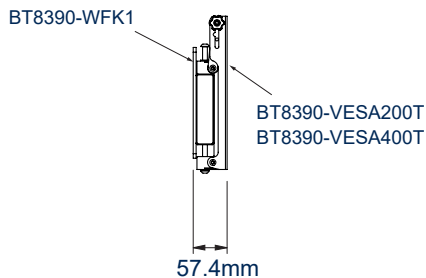
Tilting interface arms feature up to +20° tilt adjustment for enhanced overhead visibility

TECHNICAL DRAWINGS

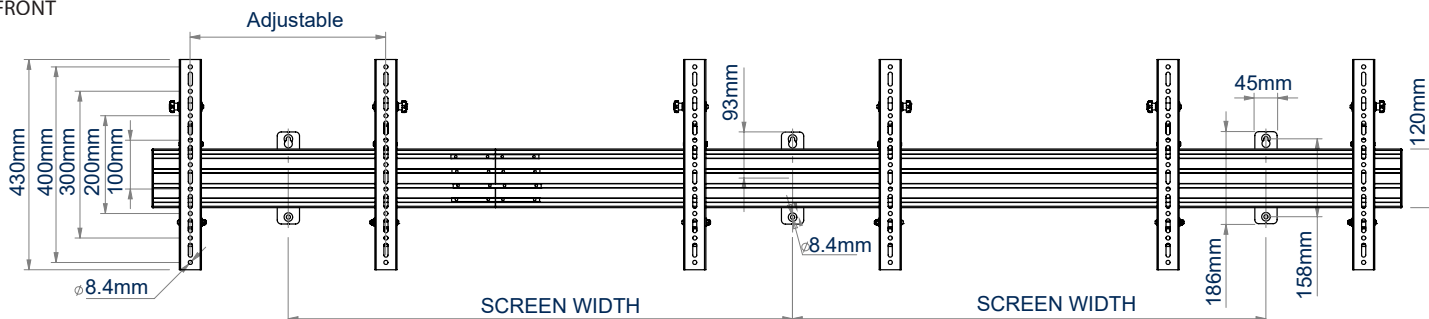
CREATING YOUR BT8330 KIT



SIDE



FRONT



PACKING INFORMATION

COLOUR:	ORDER REF:	EAN CODE:
Silver	BT8330/S	5019318759437
Black	BT8330/B	5019318081163

ACCESSORIES AND RELATED PRODUCTS



Universal Pop-In, Pop-Out Menu Board System for menu board configurations



Universal Ceiling Mounted Menu Board System for menu board configurations



Universal Video Wall Mounting System for video wall configurations



Universal Pop-In, Pop-Out Video Wall System for video wall configurations

© 2015 B-Tech Av Mounts. All rights reserved. The information in this document is for informational purposes only and does not constitute an offer of any product. B-Tech Av Mounts is not responsible for any damage or loss of data caused by improper use of its products. Any reproduction or transmission of any part of this document is strictly prohibited without the prior written permission of B-Tech Av Mounts. Information subject to change without notice. SS-BT8330-V3.2-120123