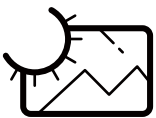


DS SERIES

DS552LT5-1

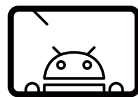
55" 4000nits Fanless High Brightness Digital Signage Display



**SUNLIGHT
VIEWABLE IMAGE**



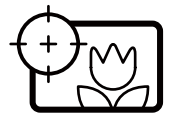
FANLESS



**BUILT-IN
MEDIA PLAYER**



**SUSTAINED
HIGH BRIGHTNESS**



**TRUECOLOR™
CALIBRATED**

Android is a trademark of Google LLC.
The Android robot is reproduced or modified from work created and shared by Google and used according to terms described in the Creative Commons 3.0 Attribution License.

FOR MORE INFORMATION

For more information about DynaScan, visit our website at www.dynascandisplay.com. Copyright © DynaScan Technology Inc. All rights reserved. All specifications and descriptions are subject to change without notice. Reproduction without permission is prohibited.

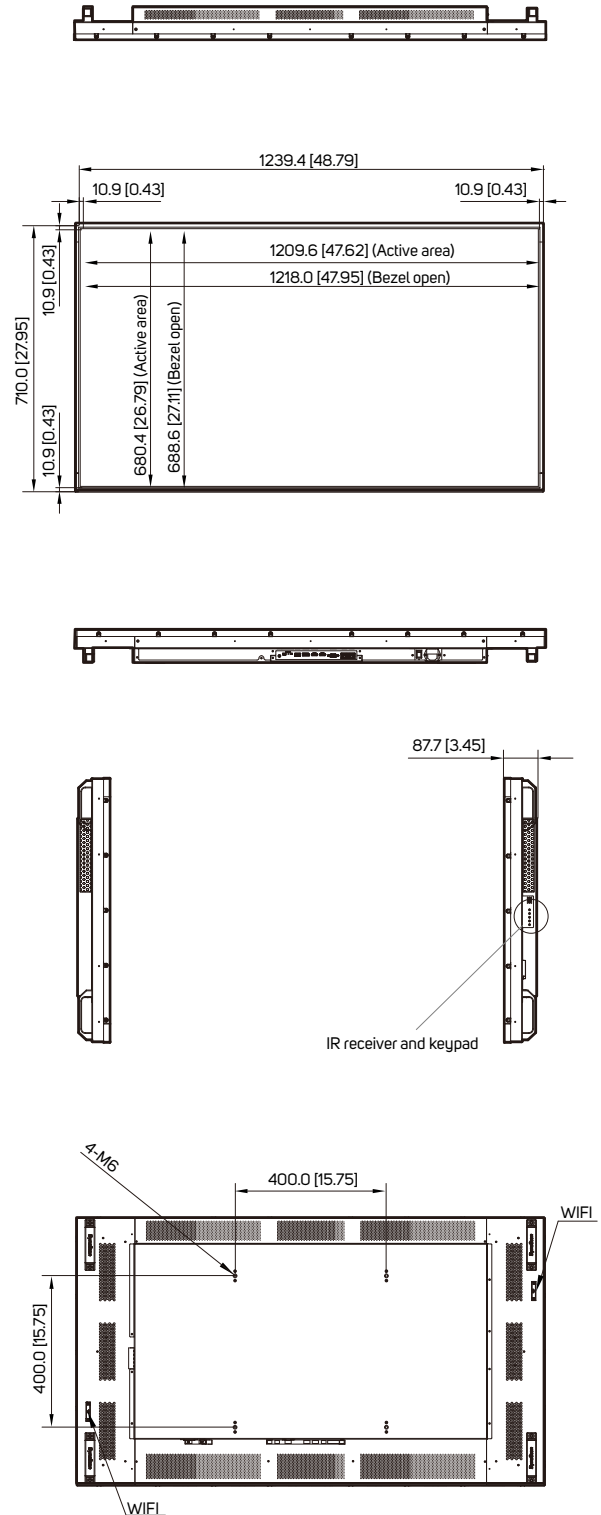
DynaScan

SPECIFICATION

MODEL	DS552LT5-1		
DISPLAY	LCD Panel Size	54.64"	
	Native Resolution	1920 x 1080	
	Brightness	4000 nits	
	Color Depth	8 bits	
	Contrast Ratio	3000 : 1	
	Response Time (Typ.)	9 ms	
	Viewing Angle	178° / 178°	
	Light Lifetime (Typ.)	100,000 hrs	
	Blackening Defect Free	Up to 110°C (230°F)	
	Polarized Sunglasses Support	Yes	
POWER	Power Supply	Internal	
	Rated Voltage	100-240V ~ 50/60HZ	
	Power Consumption (Max.)	160 W / 260 W	
	Power Saving Mode	< 1 W	
MECHANICAL SPECS	Bezel Width (T/B/L/R)	10.9 / 10.9 / 10.9 / 10.9 mm	
	Cabinet Color	Black	
	Monitor Dimension (LxHxD)	1239.4 x 710.0 x 87.7 mm	
	Monitor Weight	27.5 kg	
	Orientation	Portrait / Landscape	
	VESA Mounting (LxH)	400 x 400 mm	
	Carrying Handles	Yes	
	Fanless Design	Yes	
FEATURE	Language	English	
	Support SNMP (Up to V3.0)	Yes	
	Image Retention Protection	Yes	
	Auto Orientation Sensor	Yes	
	Ambient Light Sensor	Yes	
	Power On/Off Scheduling	Yes	
	OSD Menu Rotation	Yes	
INPUT	HDMI 2.1 (HDCP 2.3)	x2	
	DisplayPort 1.2	x1	
	USB 3.0	x1	
	Micro SD Slot	x1	
OUTPUT	Audio	x1	
EXTERNAL CONTROL	RS-232	In x1	
	RJ-45	x2 (LAN)	
	ETK Port (Thermal)	x1	
	ESK Port (IR, Ambient)	x1	
ENVIRONMENT	Operating Temperature	0°~ 45° C	
	Storage Temperature	-20°~60° C	
	Humidity	10% ~ 80% RH Non-condensing	
INTERNAL PLAYER	Operating System	Android 8.0.0	
	Processor	Dual-core A73 and dual-core A53	
	Clock Speed	1.5GHz	
	Main Memory Interface	DDR4, 2G	
	Graphics	Quad-core MaliG51	
	Storage	Internal: 16GB eMMC Flash External: Support Micro SD ,Up to 32GB(exFAT) /128GB(FAT32)	
	Multimedia	4K 10bits VP9/H265/H264 video decoders, up to 60fps 1080P other video decoders (VC-1, MPEG-1/2/4, VP8)	
	Wi-Fi Specification	802.11 b/g/n 2412.0MHz - 2462.0MHz	
	ACCESSORY	Quick Start Guide. Power Cord. Remote Control. Batteries. IR & Ambient Sensor	
	CERTIFICATION	CE / FCC / RoHS / PSE / VCCI	

DIMENSIONS

Unit: mm [inch]



INTERFACE

