



IEC-3367

Digital Signage Player with Intel® 11th Core / Celeron® Processor



Features

- Intel® 11th Core / Celeron® Processor (Tiger lake-UP3)
- Dual DDR4 SODIMM sockets
- Dual HDMI output supported
- Dual GbE RJ45 ports
- 3 x RS-232, 6 x USB 3.0 ports
- 1 x M.2 2280 M-Key slot, 1 x M.2 2230 E-Key slot
- 1 x Mini PCI-E slot

System

CPU	Soldered onboard Intel® 11th Generation Core i7/ i5/i3 or Celeron® processor (Tiger Lake-UP3)
Memory	2 x 260-pin DDR4 SO-DIMM socket, supporting 3200MHz SDRAM up to 64GB
Graphics	Integrated Intel® Iris® Xe / UHD Graphic (depends on CPU SKU)
LAN Chipset	2 x Intel GbE RJ45

I/O

Serial Port	3 x DB-9 male connector for RS-232
USB Port	6 x USB 3.0 ports
LAN	2 x RJ-45 ports for GbE
Video Port	2 x HDMI max resolution up to 4096*2160@30Hz
Audio	1 x Phone jack connector for Line-Out + MIC
Expansion Bus	1 x M.2 2230 E-Key slot 1 x Mini PCIe slot

Storage

Storage	1 x M.2 2280 M-Key slot for PCIe x4 NVMe
---------	--

Environmental

Operating Temp.	0 ~ 40°C (32 ~ 104°F), ambient w/ air flow
Storage Temp.	-40 ~ 85°C (-40 ~ 185°F)
Operating Humidity	10 ~ 95% @ 60°C (non-condensing)
Vibration	1.0 Grms, IEC 60068-2-64, random, 5 ~500 Hz, 1 Oct./min, 1 hr/axis, operatio
Shock	Operating 10G, Non-operating 20G

Qualification

Certification	CE, FCC
---------------	---------

Power Requirement

Power Input	DC 12V input
Power Consumption	1.28A @12V (typical w/ i7-1165G7)

Mechanical

Construction	Aluminum alloy
Weight	1.21KG
Dimensions (W x D x H)	198.5 x 124 x 68.7 mm (7.82" x 4.89" x 2.71")

OS Support

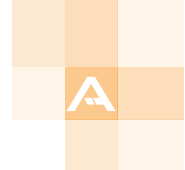
Windows 10	
Linux Ubuntu	

Ordering Information

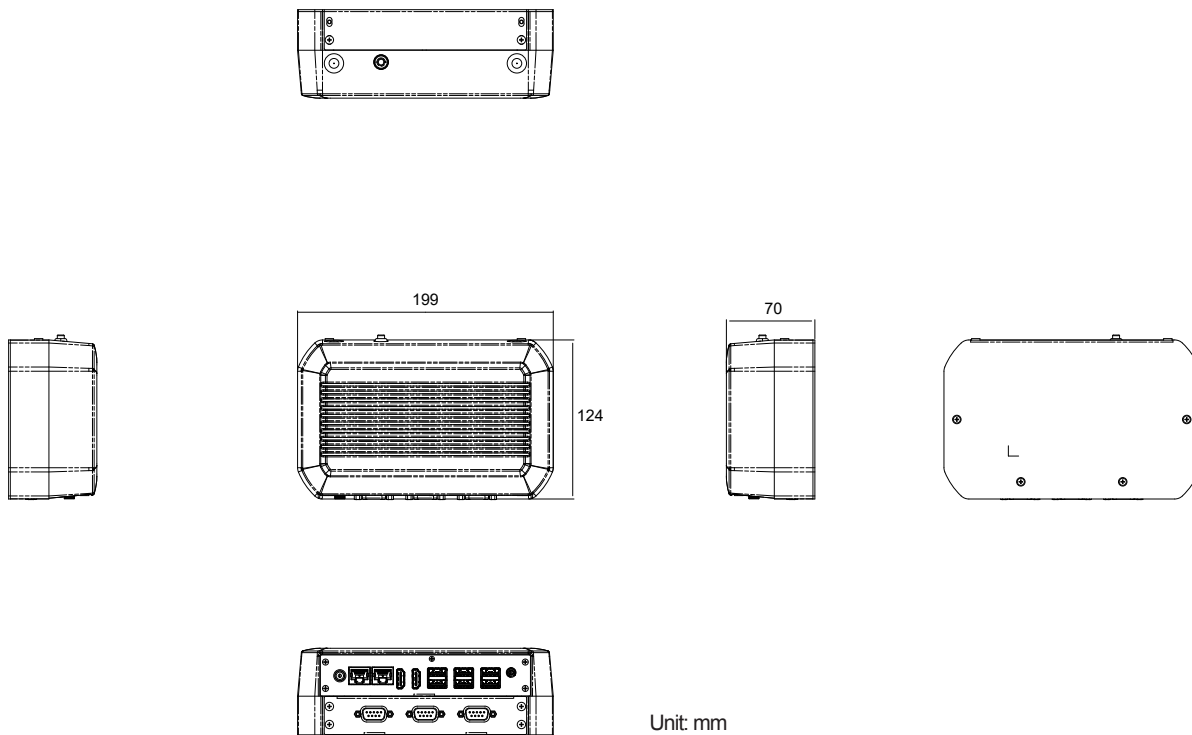
IEC-3367-1135G7	Intel® Core i5-1135G7 Processor, 2 HDMI, 2 GbE, 6 USB, 3 RS-232, 8GB SDRAM, 256GB M.2 SSD
-----------------	---

OEM Request

IEC-3367-1165G7	Intel® Core i7-1165G7 Processor, 2 HDMI, 2 GbE, 6 USB, 3 RS-232
IEC-3367-1115G4	Intel® Core i3-1115G4 Processor, 2 HDMI, 2 GbE, 6 USB, 3 RS-232
IEC-3367-6305E	Intel® Celeron 6305E Processor, 2 HDMI, 2 GbE, 6 USB, 3 RS-232



Dimensions



Standard Accessories

Power Adaptor 12VDC, 5A, 60W, 2.5φ JACK, AC/DC Adaptor with power cord



Optional Configuration (CTOS* Kit)

4GB SO-DIMM DDR4-2666 4GB SO-DIMM Memory module

8GB SO-DIMM DDR4-2666 8GB SO-DIMM Memory module

16GB SO-DIMM DDR4-2666 16GB SO-DIMM Memory module

256GB SSD 256GB M.2 2280 SSD PCIe Gen3x4

512GB SSD 512GB M.2 2280 SSD PCIe Gen3x4

1TB SSD 1TB M.2 2280 SSD PCIe Gen3x4



*CTOS means *Configure-to-Order Service*.