



Main Features

- Intel® Celeron® J3455 processor
- Support 2 x HDMI 1.4b output
- Support power input 12 VDC
- Fanless design
- Slim chassis design (40mm)
- Fanless design
- 1 x DDR3L up to 8GB
- M.2 2242 Key M for storage device
- mini-PCIe slot support Wi-Fi and LTE module
- Extended temperature -20~60°C

Product Overview

Powered by Intel® Celeron® processor, the NDiS B337 fanless embedded system can handle 2 independent display outputs. The NDiS B337 supports HDMI, USB 3.0 ports, and an RS232/RS422/RS485 interface, is an ideal visual edge device to optimize information visualization, convey brand messages, customer engagement, and smart retail management efficiencies to increase in-store traffic and sales. The NDiS B337 can also be used as a gateway for smart cities. The NDiS B337 is a slim-type fanless embedded system with extended temperature durability, making it suitable for outdoor usage in locations such as QSR drive-through kiosks, intelligent vending machines, information stands, bus stops, or digital transit information signs. By bringing advanced visual processing capabilities closer to the data source, NDiS B337 series with NEXCOM AIBooster® module can offer reduced latency, enhanced privacy, and improved decision-making for a wide range of industries and use cases. It is also ideal to employ for customer behavior analysis, hotspot analysis, and personalized advertising.

Specifications

CPU Support

- Intel® Celeron® J3455 processor (2.30GHz, 10W)

Graphics

- Intel® HD graphics 500

Main Memory

- 1 x 204-pin SO-DIMM socket, support up to DDR3L 1600MHz, non-ECC, un-buffered memory up to 8GB

I/O Interface-Front

- 2 x RJ45 with LEDs for Gigabit LAN
- 2 x HDMI 1.4b, resolution 3840 x 2160 30Hz
- 2 x USB 3.0
- 2 x USB 2.0
- 1 x Power button with LED
- 1 x DC-in Jack with lock
- 1 x RS232/RS422/RS485 (COM1)

I/O Interface-Rear

- 2 x Antenna hole
- 1 x RS232 (COM2)
- 1 x Storage active LED
- 1 x Audio jack

Internal I/O

- 1 x TPM module connector

Expansion

- 1 x mini-PCIe full-size connector with SIM slot (nano) onboard, support Wi-Fi/LTE module

Storage

- 1 x M.2 2242 Key M SSD

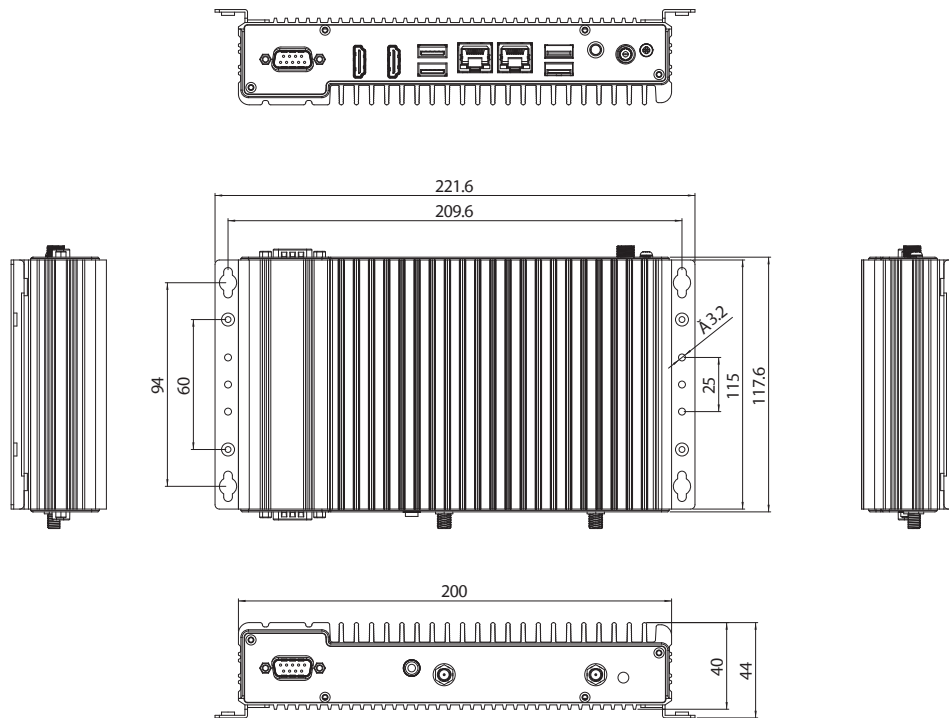
Power Supply

- 1 x External 60W AC/DC power adapter with lock (power adapter is included in accessory)
- Input: 100VAC to 240VAC
- Output: +12VDC

Environment

- Operating temperature: -20°C to 60°C
- Storage temperature: -20°C to 80°C
- Humidity: 95% (non-condensing)
- Shock protection: 50G peak acceleration, 11 ms according to IEC60068-2-27
- Vibration protection
 - Random: 2Grms@5~500 Hz, IEC60068-2-64
 - Sinusoidal: 2G@5~500 Hz, IEC60068-2-6

Dimension Drawing



Dimensions

- 200mm (W) x 117.6mm (D) x 40mm (H)

Certification

- CE (EN55035 + EN55032)
- FCC Class A (EMI Part 15B)
- LVD (EN62368-1)

Operating System

- Win10 64-bit
- Linux 4.1

Ordering Information

◆ NDiS B337 (P/N: 10W00B33700X0)

Intel® Celeron® J3455 processor extended temperature system with 2 COM ports