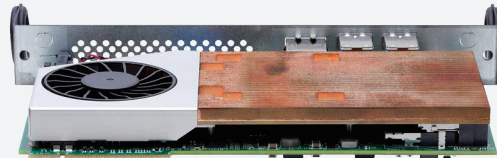
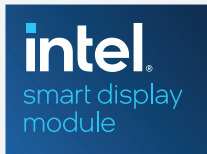


NDiS S538

Embedded Computer Powered by 6th Gen. Intel® Core™ Processor
Intel® SDM-L Based Digital Signage Platform, Support 4K Resolution



Main Features

- Intel® Smart Display Module Large (Intel® SDM-L) design in
- 6th Gen Intel® Core™ Skylake processor
- Intel® integrated HD 530 graphic engine
- Support 3 independent 4K2K video out
- Dual DDR4 SO-DIMM support
- Support Wi-Fi module

Product Overview

NDiS S538 is designed to be thinner and more power efficient than ever. Due to the lack of housing, display size is not limited, making it easy to integrate in various signage players.

This device can be spanned from Celeron to Core™ processor and support All-in-One signage, interactive media player, and video wall. Furthermore, a pluggable M.2 storage unit is offered for easy storage capacity expansion.

NDiS S538 leverages the 6th Gen Intel® Core™ processors, supporting 3 independent 4K2K video output to deliver outstanding graphics. This superb but power-efficient performance can therefore maximize visual impacts for digital signage applications

Specifications

CPU Support

- 6th Gen Intel® Core™ processor (LGA1151), 35W

Chipset

- Intel® Q170 PCH

Graphic

- Intel® integrated HD 530 graphics

Main Memory

- 2 x 260-pin SO-DIMM Sockets, Supports DDR4 2133/2400 MHz non-ECC, un-buffered memory up to 32G (Single socket max. 16GB)

I/O Interface-Front

- 1 x Power button with LED
- 1 x Reset button
- 1 x RJ45 with LEDs for Gigabit LAN PHY (I219-LM)
- 1 x Mini DP ++
- 4 x USB 3.0
- 2 x Antenna hole

I/O Interface-Rear (PCIe x8)

- 1 x HDMI 2.0 signal (includes audio and display signal)
- 1 x DP1.2 signal
- 2 x I2C, master and slave ports signal

- 1 x GSPI signal
- 1 x PCIe by 1 signal
- System management

Storage Device

- 1 x M.2 2280, PCIe x4 + SATA

Expansion

- 1 x M.2 2230 for optional Wi-Fi module
- 1 x TPM connector for optional TPM 2.0 module to support vPro with i5/i7 CPU processor

Dimensions

- 175mm (W) x 100mm (D) x 20mm (H)

Power Power Supply

- DC power input +12V

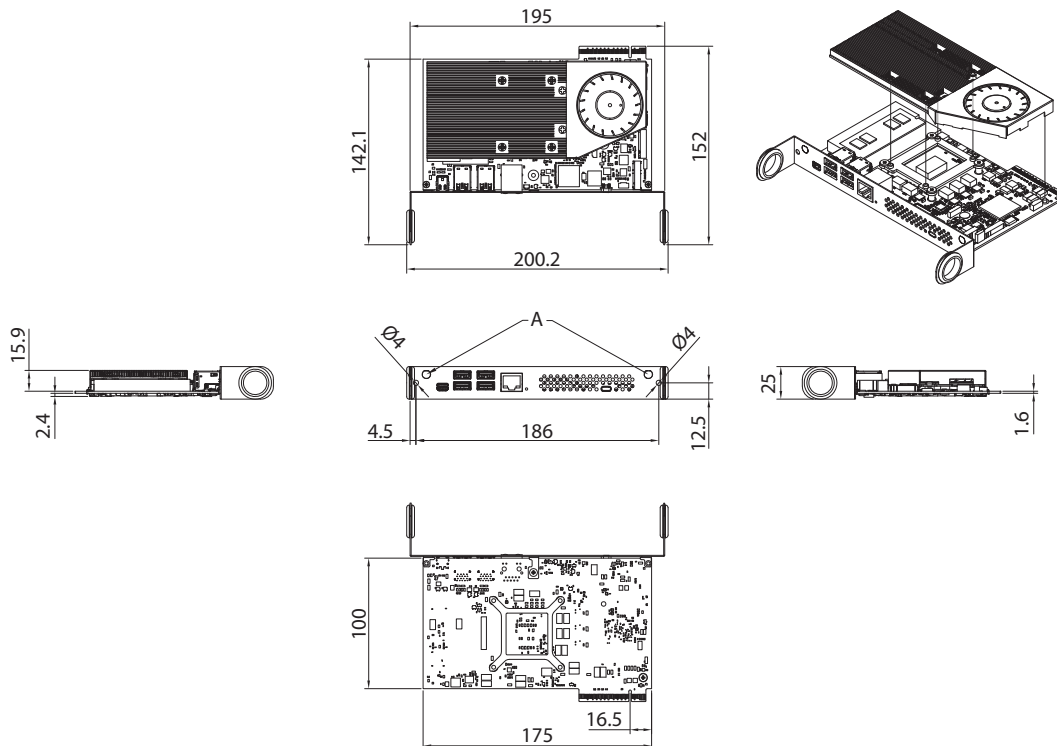
Environment

- Operating temperature: ambient with air flow from 0°C to 55°C
- Storage temperature: -10°C to 70°C
- Humidity: 95% (non-condensing)

Certification

- CE/FCC Class A

Dimension Drawing



Operating System

- Win10 64-bit/Linux

Ordering Information

- **NDiS S538 (P/N: 10W00S53800X0)**
Intel® Smart Display Module Large (Intel® SDM-L), 6th gen. Intel® Core™ LGA1151 type processor, Intel® Q170 chipset