



OPS150-CS

H310

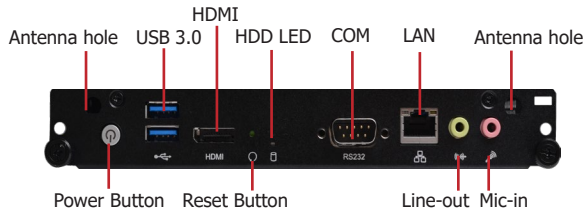


Features

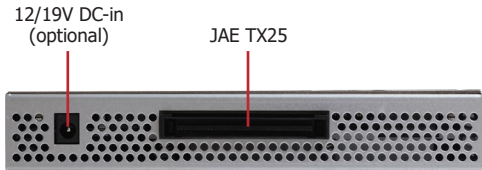
- Intel® Open Pluggable Specification (OPS compliance)
- 2 DDR4-2666 SO-DIMM max. up to 32 GB
- M.2 SSD, M.2 Wi-Fi/BT
- Supports 4K @ 60Hz resolution
- Easy installation and maintenance
- Supports HDMI, USB3.1



Panel

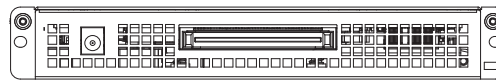


Front View

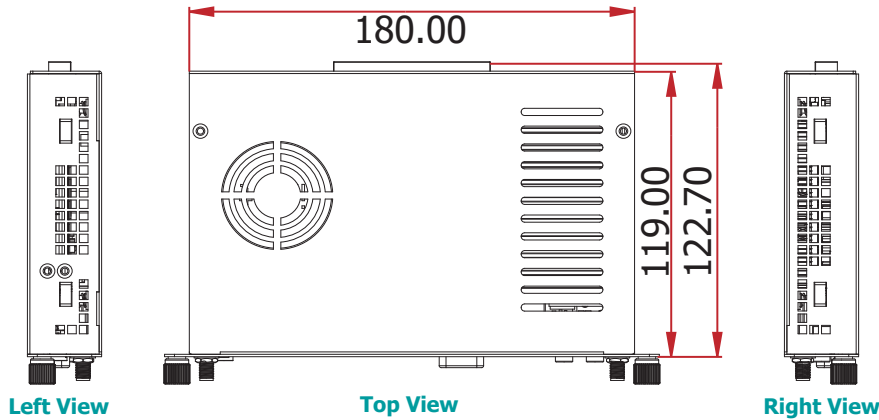


Rear View

Dimensions



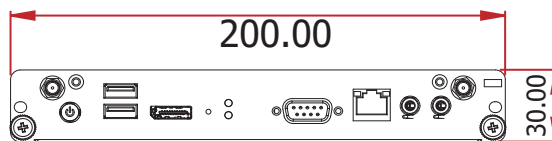
Rear View



Left View

Top View

Right View



Front View

► Specifications

SYSTEM	Processor	8th/9th Generation Intel® Core™ Processors, LGA 1151 Socket Intel® Core™ i7-9700TE Processor, Octa Core, 12M Cache, 1.8GHz (3.8GHz), 35W Intel® Core™ i5-9500TE Processor, Hexa Core, 9M Cache, 2.2GHz (3.6GHz), 35W Intel® Core™ i3-9100TE Processor, Quad Core, 6M Cache, 2.2GHz (3.2GHz), 35W Intel® Core™ i7-8700T Processor, Hexa Core, 12M Cache, 2.4GHz (4.0GHz), 25W (35W) Intel® Core™ i5-8500T Processor, Hexa Core, 9M Cache, 2.1GHz (3.5GHz), 25W (35W) Intel® Core™ i3-8300T Processor, Quad Core, 8M Cache, 2.5GHz (3.2GHz), 25W (35W)
	Chipset	Intel® H310 Chipset
	Memory	Two 260-pin SODIMM up to 32GB Dual Channel DDR4 2666MHz
	BIOS	Insyde SPI 16Mbit
GRAPHICS	Controller	Intel® HD Graphics 630
	Feature	OpenGL 5.0, DirectX 12, OpenCL 2.1 HW Decode: AVC/H.264, MPEG2, VC1/WMV9, JPEG/MJPEG, HEVC/H265, VP8, VP9 HW Encode: MPEG2, AVC/H264, JPEG, HEVC/H265, VP8, VP9
	Display	1 x HDMI 1.4 via JAE connector interface support: 1 x HDMI 2.0 output + 1 x DP 1.2 output HDMI 1.4: resolution up to 3840x2160 @ 30Hz HDMI 2.0: resolution up to 3840x2160 @ 60Hz DP: resolution up to 4096x2160 @ 60Hz
	Triple Displays	2 x HDMI + 1 x DP
EXPANSION	Interface	1 x M.2 (2280 M Key) (PCIe NVMe x4/SATA 3.0) 1 x M.2 (2230 E Key) (PCIe/USB 2.0)
ETHERNET	Controller	Realtek RTL8111H
LED	Indicators	1 x Power LED 1 x HDD LED
FRONT I/O	Ethernet	1 x GbE (RJ-45)
	Serial	1 x RS-232 (DB-9)
	USB	2 x USB 3.1
	Display	1 x HDMI 1.4
	Audio	1 x Line-out 1 x Mic-in
	Buttons	1 x Power Button 1 x Reset Button
	Wi-Fi Antenna	2 x Wi-Fi Module Antenna Hole
REAR I/O	OPS Interface	JAE TX25: 1 x HDMI 2.0 1 x DP 1.2 2 x USB 2.0 1 x USB 3.0 1 x UART 1 x Audio out 1 x 12~19V DC-in
COOLING	Fan	Active Cooling
WATCHDOG TIMER	Output & Interval	System Reset, Programmable via Software from 1 to 255 Seconds
POWER	Type	12V/19V
	Connector	DC-in Connector (optional)
OS SUPPORT		Windows 10 Enterprise (64-bit) Linux
MECHANISM	Construction	Aluminum + SGCC
	Dimensions	200mm x 30mm x 119mm (W x H x D)
	Weight	TBD
ENVIRONMENT	Operating Temperature	-5 to 45°C
	Storage Temperature	-40 to 85°C
	Relative Humidity	10 to 90% RH (non-condensing)
STANDARDS AND CERTIFICATIONS	Certification	CE/FCC/CCC