



## SSD4355-INK V1 MaxRGB

### 43.5" Resizing LCD, 1000 nits LED backlight, MaxRGB, 3840 x 536 ultra-wide aspect ratio 16:2.2

The SSD4355-INK is a 43.5 inch color TFT-LCD display with special aspect ratio 16:2.2 and wide resolution 3840 x 536 with HCS (High Color Saturation). It is Litemax's Spanpixel series product which designed for high brightness 1000 nits with power efficiency LED backlight. It provides LCD panel with specific aspect ratios and sunlight readable for digital signage, public transportation, exhibition hall, department store, and vending machine.

#### Key Features

- Resizing LCD
- Ultra-Wide Screen (16 : 2.2)
- High Brightness 1000 nits
- Sunlight Readable
- LED Backlight
- Slim Bezel
- High Color Saturation
- BL MTBF: 100,000 hours



### Specifications

Model Name	SSD4355-INK V1 MaxRGB
Description	43.5" Resizing LCD, 1000 nits LED backlight, MaxRGB, 3840x536
Screen Size	43.5"
Display Area (mm)	1095.84(H) x 153(V)
Brightness	1000 cd/m <sup>2</sup>
Resolution	3840x536
Aspect Ratio	16 : 2.2
Contrast Ratio	7700 : 1
Pixel Pitch (mm)	0.2854(H) x 0.2854(V)
Pixel Per Inch (PPI)	89
Viewing Angle	178°(H),178°(V)
Color Saturation (NTSC)	95%
Display Colors	1.07G
Response Time (Typical)	9.5ms
Panel Interface	V-by-One
AD Board Input Interface	VGA, DVI-D, HDMI, DP
Input Power	AC100~240V
Power Consumption	79W
OSD Key	5 Keys (Power Switch, Menu, +, -, Exit)
OSD Control	Brightness, Color, Contrast, Auto Turing, H/V Position...etc
Dimensions (mm)	1124.3 x 187.4 x 64.6
Bezel Size(U/B/L/R)	14.6/14.6/12.2/12.2 mm
Weight (Net)	8.6 kg
Mounting	300 x 75
Operating Temperature	0 °C ~ 50 °C
Storage Temperature	-20 °C ~ 60 °C

### SSD= Panel + LED Driving Board + AD Control Board + Housing

Specifications are subject to change without notice.

All brands or product names are trademarks or registered trademarks of their respective companies.



## Mechanical Drawing

Outline Dimensions

Unit: mm

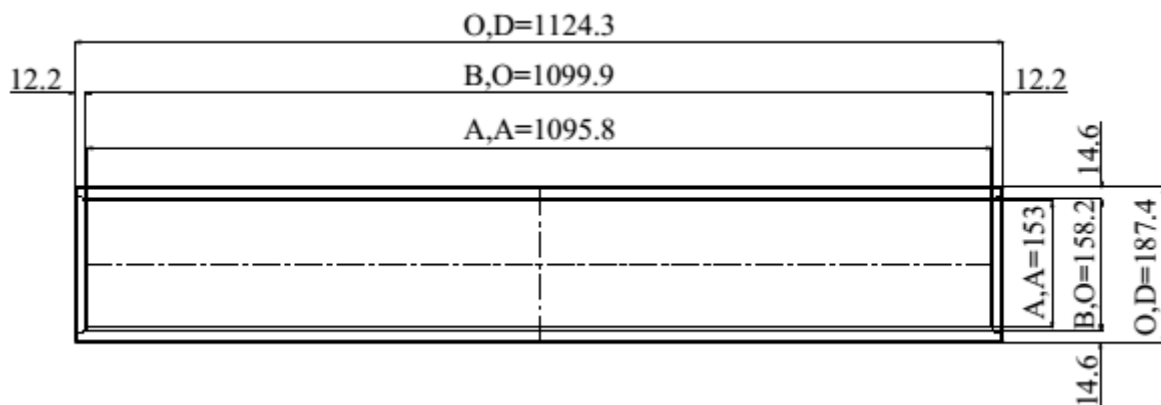
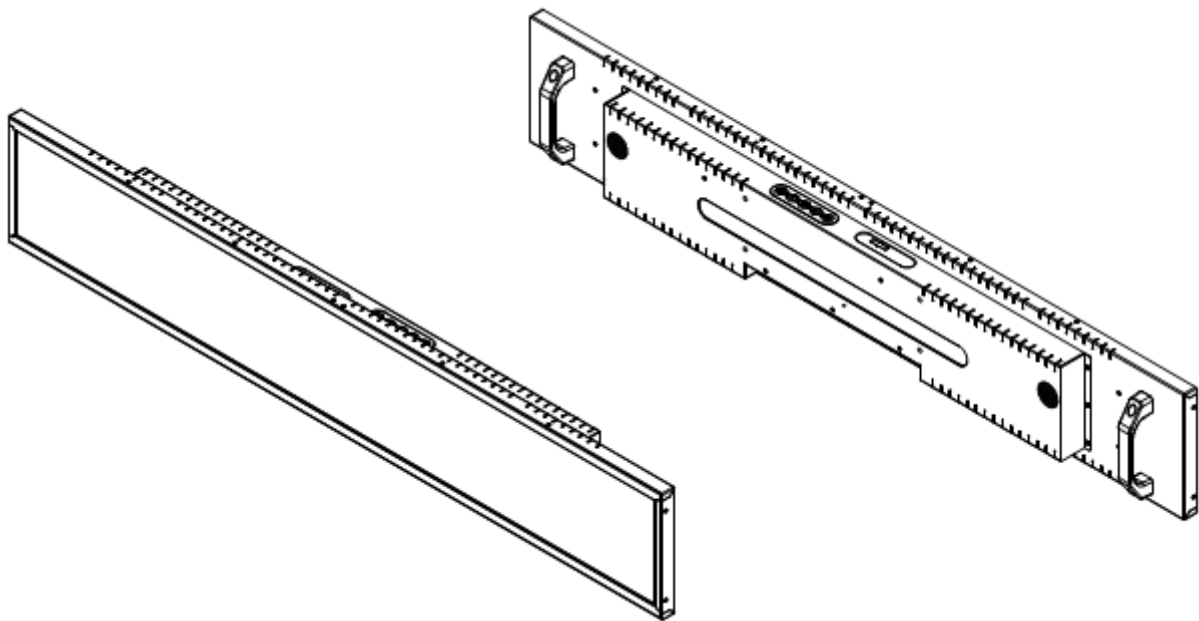
### NOTE :

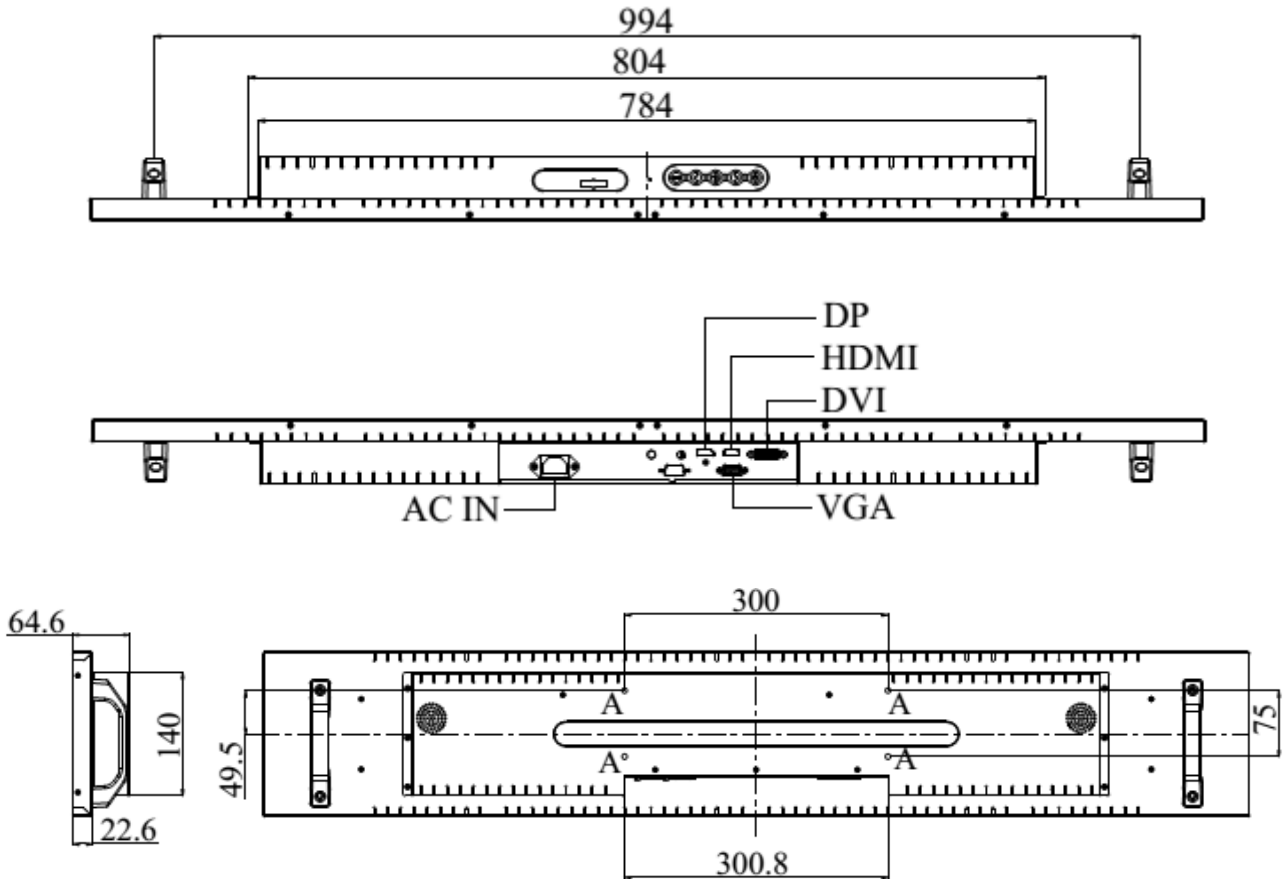
O.D. : OUTLINE DIMENSION

B.O. : BEZEL OPENING

A.A. : LCD ACTIVE AREA

A : 4-M6\_USER HOLE\_MAX Depth=8mm





### Ordering Information

Part Number	Description
<b>SSD4355-INK-M01</b>	43.5",1000nits,3840*536,MaxRGB,LID43A,AD9131GDHP,speaker*2,O/B,AC100~240V,2in1,V1

### Optional Accessories

Part Number	Description
<b>810618301010</b>	CABLE.POWER.AC.1830mm USA type
<b>810618301090</b>	CABLE,POWER,AC,1830mm Europe type
<b>810618301050</b>	CABLE.POWER.AC.1830mm UK type
<b>810618301170</b>	CABLE.POWER,AC,1830mm Australia type
<b>810618301031</b>	CABLE.POWER.AC.1830mm Japan type

### By Customer Request

Glass	Description
	Tempered glass, AR coating.....