



SSD4488-I

44.8" Resizing LCD, 1600 nits LED backlight, 1920 x 538 ultra-wide aspect ratio 16:4.4

The SSD4488-I is a 44.8 inch color TFT-LCD display with special aspect ratio 16:4.4 and wide resolution 1920 x 538. It is Litemax's Spanpixel series product which designed for high brightness 1600 nits with power efficiency LED backlight. It provides LCD panel with specific aspect ratios and sunlight readable for digital signage, public transportation, exhibition hall, department store, and vending machine.

Key Features

- Resizing LCD
- Ultra-Wide Screen (16 : 4.4)
- High Brightness 1600 nits
- LED Backlight
- Low Power Consumption
- Slim Bezel
- BL MTBF: 100,000 hours



Specifications

Model Name	SSD4488-I V1
Description	44.8" Resizing LCD, 1600 nits LED backlight, 1920x538
Screen Size	44.8"
Display Area (mm)	1095.8(H) x 307.0(V)
Brightness	1600 cd/m ²
Resolution	1920x538
Aspect Ratio	16 : 4.4
Contrast Ratio	7000 : 1
Pixel Pitch (mm)	0.5708(H) x 0.5708(V)
Pixel Per Inch (PPI)	44
Viewing Angle	176(H),176°(V)
Color Saturation (NTSC)	78%
Display Colors	16.7M
Response Time (Typical)	9.5ms
Panel Interface	LVDS
AD Board Input Interface	VGA, DVI, HDMI , DP
Input Power	AC100~240V
Power Consumption	115W
OSD Key	4 Keys (Power Switch, Menu, +, -)
OSD Control	Brightness, Color, Contrast, Auto Turing, H/V Position...etc
Dimensions (mm)	1124.3x 341.5 x 64.6
Bezel Size(U/B/L/R)	14.6/14.6/12.2/12.2 mm
Weight (Net)	13 kg
Mounting	300 x 75
Operating Temperature	0 °C ~ 50 °C
Storage Temperature	-20 °C ~ 60 °C

SSD= Panel+ LED Driving Board + AD Control Board + Housing

Specifications are subject to change without notice.

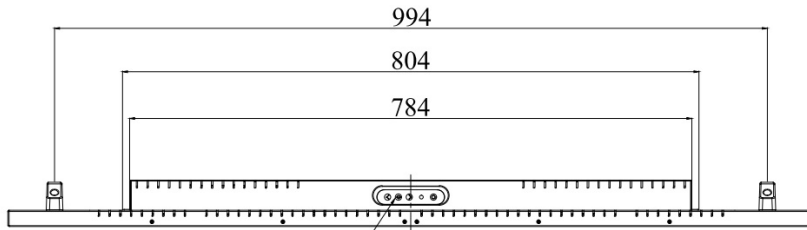
All brands or product names are trademarks or registered trademarks of their respective companies.



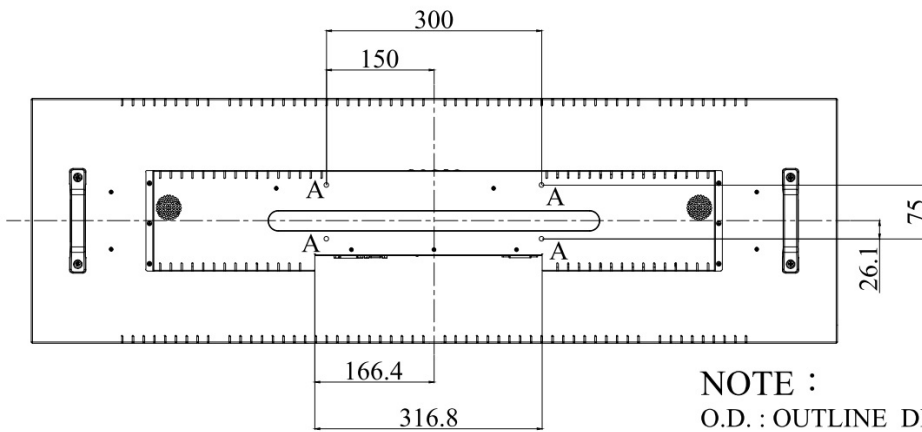
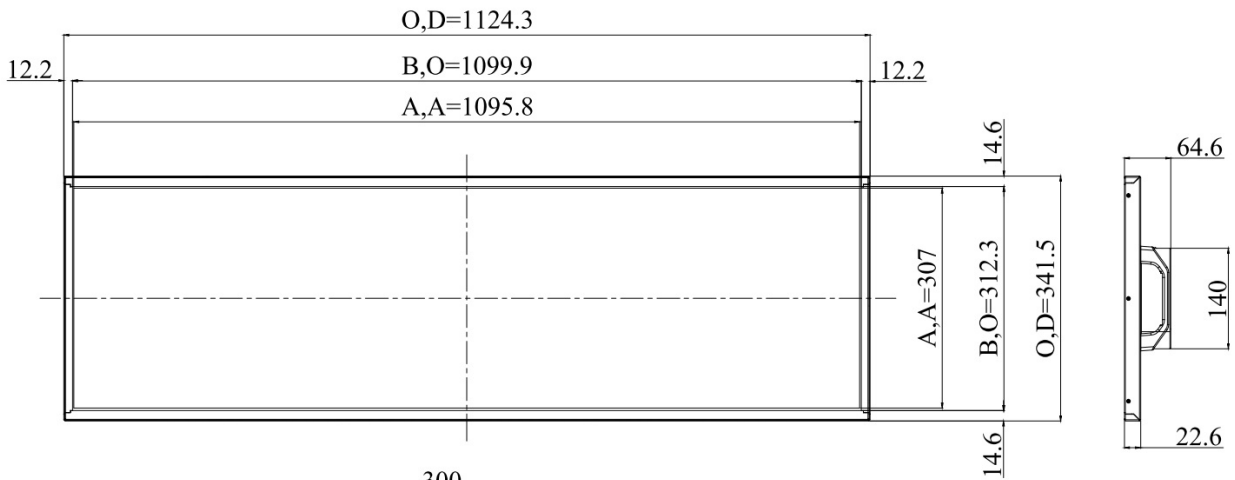
Mechanical Drawing

Outline Dimensions

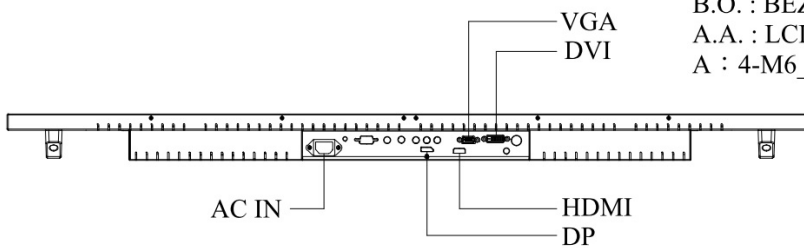
Unit: mm



MEMBRANE 4-KEYS



NOTE :
 O.D. : OUTLINE DIMENSION
 B.O. : BEZEL OPENING
 A.A. : LCD ACTIVE AREA
 A : 4-M6_USER HOLE_MAX Depth=8mm





Ordering Information

Part Number	Description
SSD4488-INB-J01	44.8",1600nits,1920*538,LID44A.AD5827GDHP,O/B,speaker*2.AC100~240V,2in1,V1

Optional Accessories

Part Number	Description
810618301010	CABLE.POWER.AC.1830mm USA type
810618301090	CABLE,POWER,AC,1830mm Europe type
810618301050	CABLE.POWER.AC.1830mm UK type
810618301170	CABLE.POWER,AC,1830mm Australia type
810618301031	CABLE.POWER.AC.1830mm Japan type

By Customer Request

Glass	Tempered glass, AR coating.....
-------	---------------------------------