



## SSF3705-Y / SSH3705-Y V2

### 37" LCD, 1000 nits LED backlight, 1920 x 540 ultra-wide aspect ratio 16:4.5

The SSF/SSH3705-Y is a 37 inch color TFT-LCD display with special aspect ratio 16:4.5 and wide resolution 1920 x 540. It is Litemax's Spanpixel series product which designed for high brightness 1000 nits with power efficiency LED backlight. It provides LCD panel with specific aspect ratios and sunlight readable for digital signage, public transportation, exhibition hall, department store, and vending machine.

#### Key Features

- Ultra-Wide Screen (16 : 4.5)
- High Brightness 1000 nits
- Sunlight Readable
- LED Backlight
- Slim Bezel
- BL MTBF: 70,000 hours



### Specifications

<b>Model Name</b>	<b>SSF3705-Y / SSH3705-Y V2</b>
<b>Description</b>	37" LCD, 1000 nits LED backlight, 1920x540
<b>Screen Size</b>	37"
<b>Display Area (mm)</b>	904.32(H) x 254.34(V)
<b>Brightness</b>	1000 cd/m <sup>2</sup>
<b>Resolution</b>	1920x540
<b>Aspect Ratio</b>	16 : 4.5
<b>Contrast Ratio</b>	5600 : 1
<b>Pixel Pitch (mm)</b>	0.47(H) x 0.47(V)
<b>Pixel Per Inch (PPI)</b>	54
<b>Viewing Angle</b>	178°(H),178°(V)
<b>Color Saturation (NTSC)</b>	84%
<b>Display Colors</b>	16.7M
<b>Response Time (Typical)</b>	6.5ms
<b>Panel Interface</b>	LVDS
<b>AD Board Input Interface</b>	DVI-I, HDMI, DP
<b>AD Board Input Power</b>	AC100~240V
<b>Power Consumption</b>	59W (63W with AD Board)
<b>Dimensions (mm)</b>	923.3x 277.1 x 30
<b>Bezel Size(U/B/L/R)</b>	9.8/9.8/7.9/7.9 mm
<b>Weight (Net)</b>	4.7 kg
<b>OSD Key</b>	4 Keys (Power Switch, Menu, +, -)
<b>OSD Control</b>	Brightness, Color, Contrast, Auto Turing, H/V Position...etc
<b>Operating Temperature</b>	0 °C ~ 50 °C
<b>Storage Temperature</b>	-20 °C ~ 60 °C

SSF= Panel+ LED Driving Board

SSH= Panel+ LED Driving Board + AD Control Board

*Specifications are subject to change without notice.*

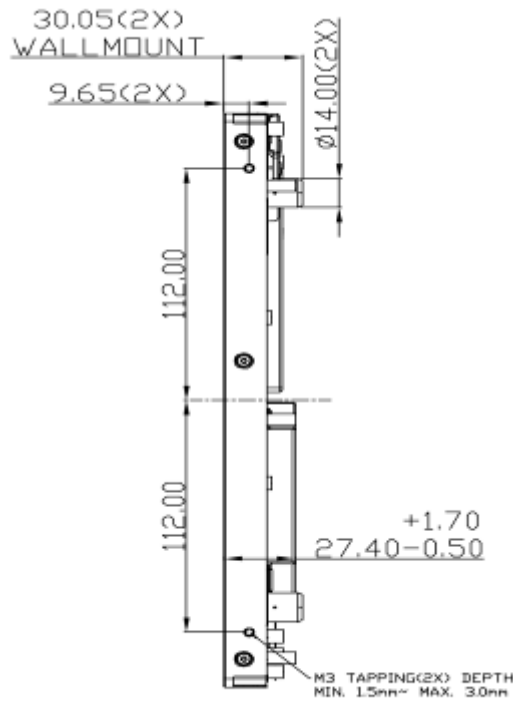
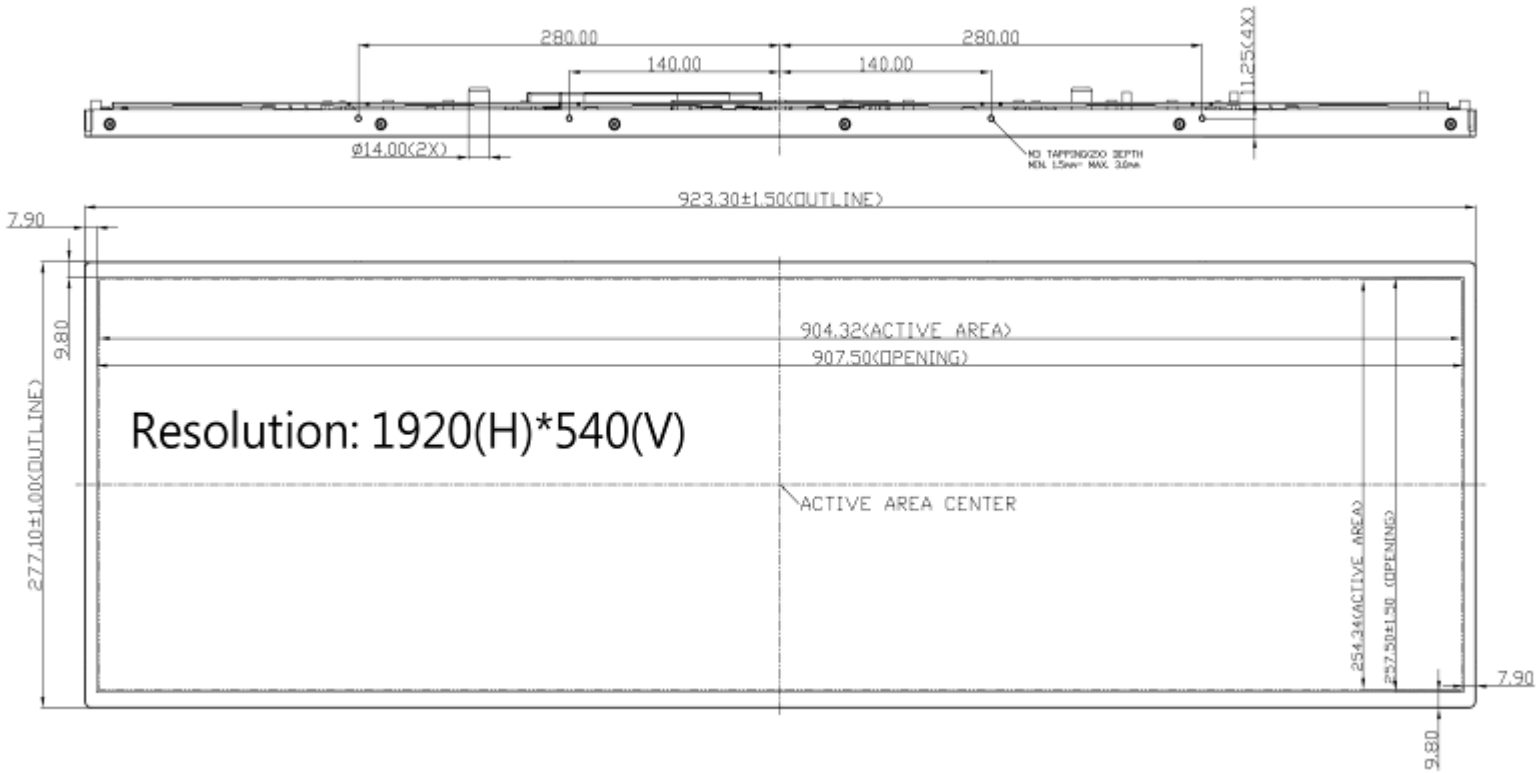
*All brands or product names are trademarks or registered trademarks of their respective companies.*

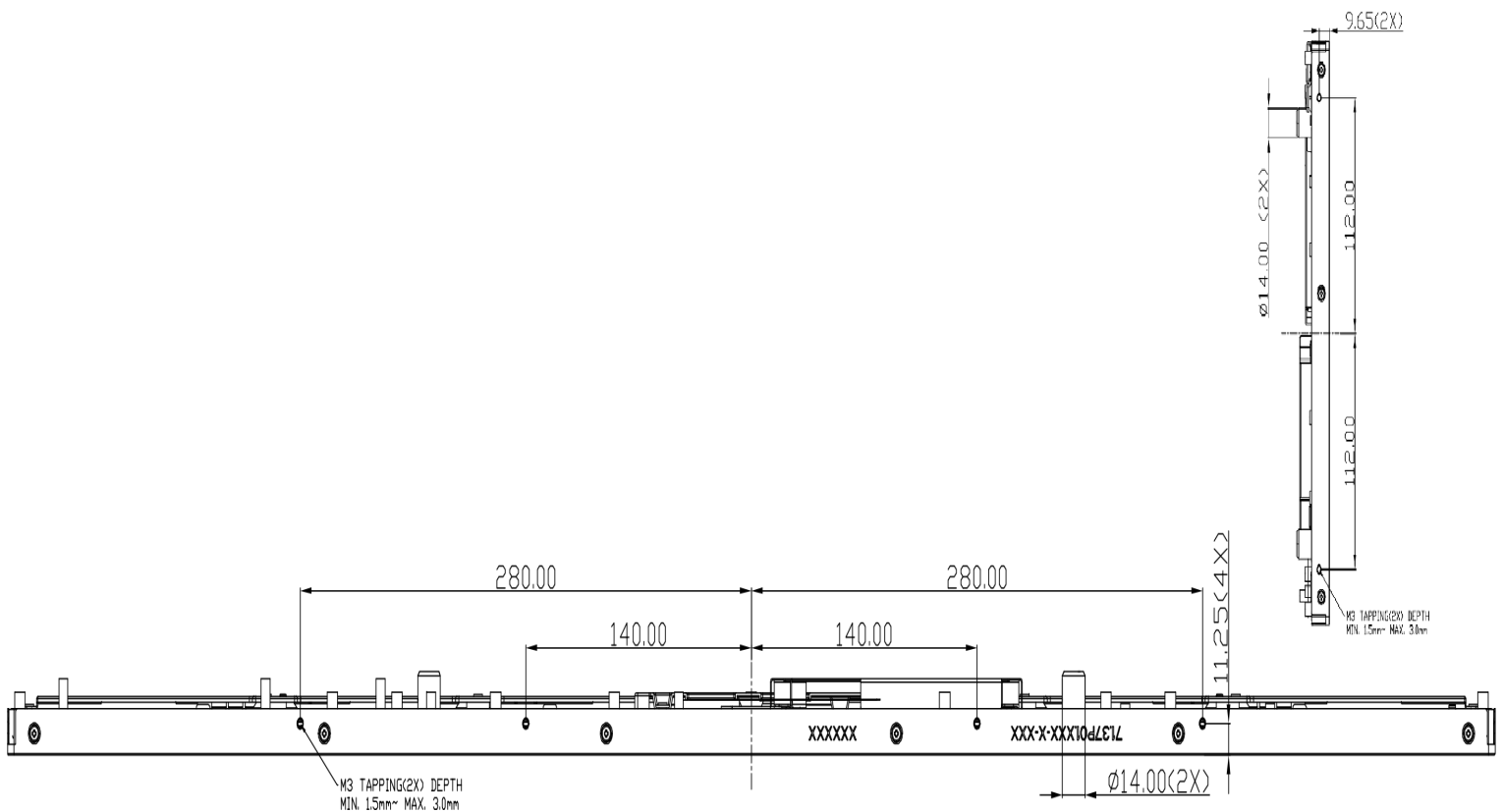
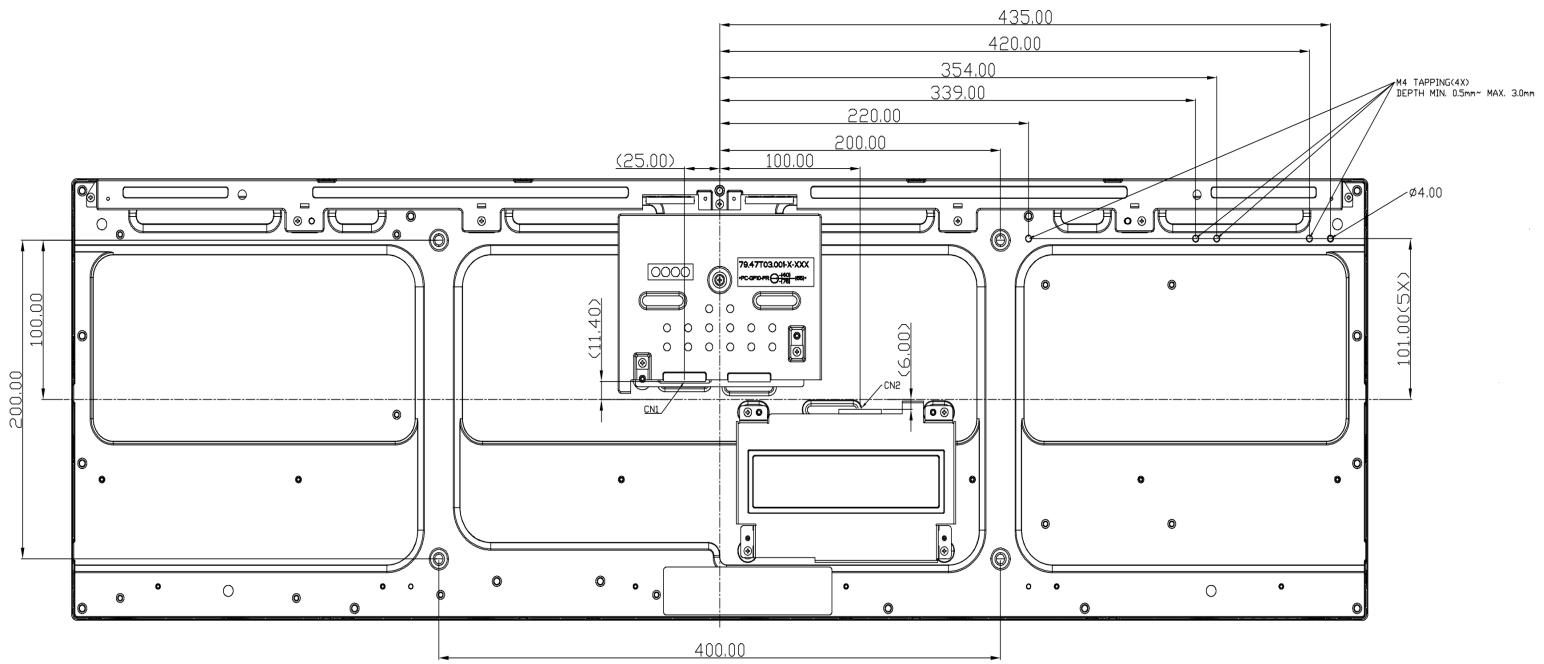


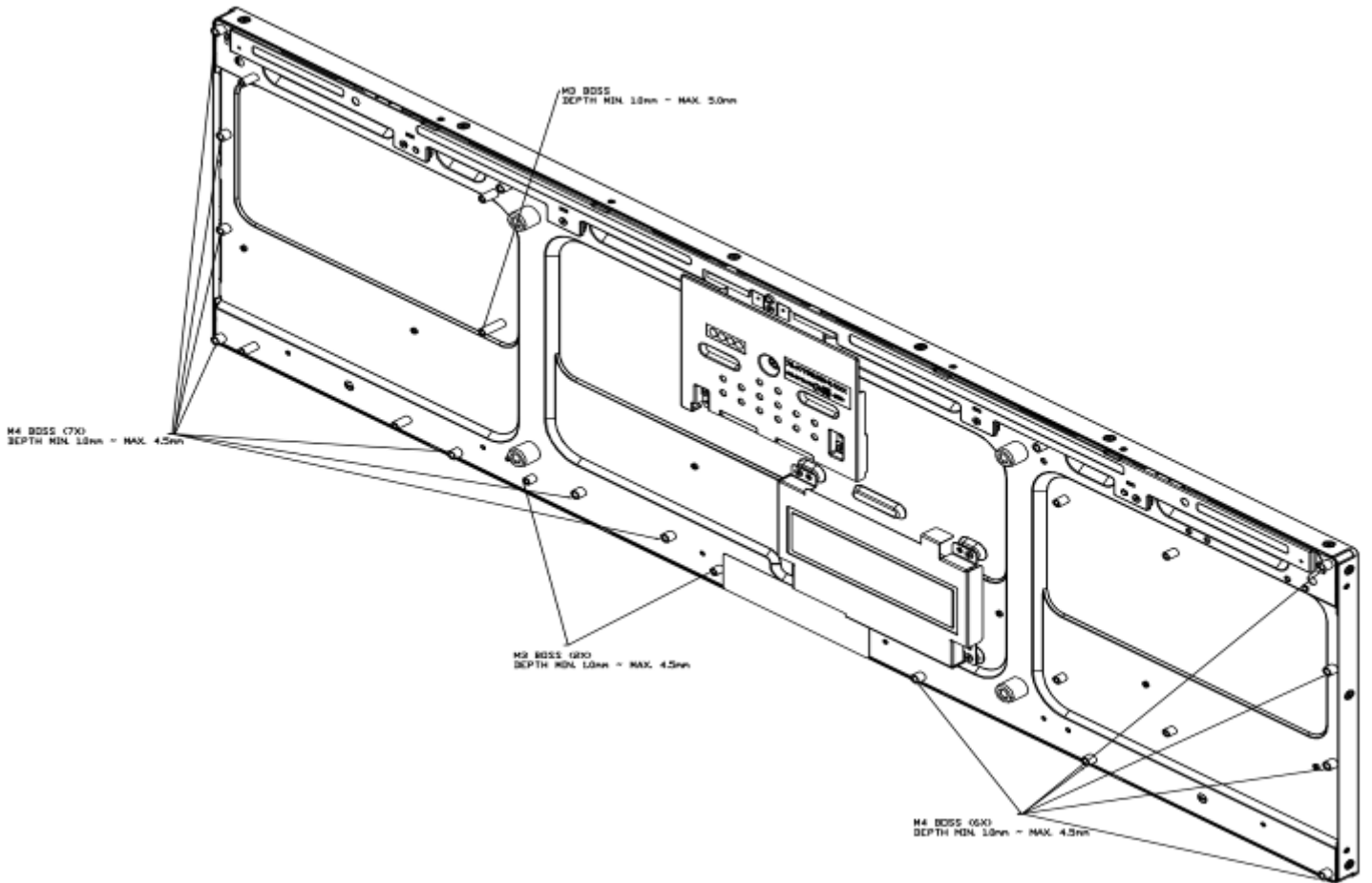
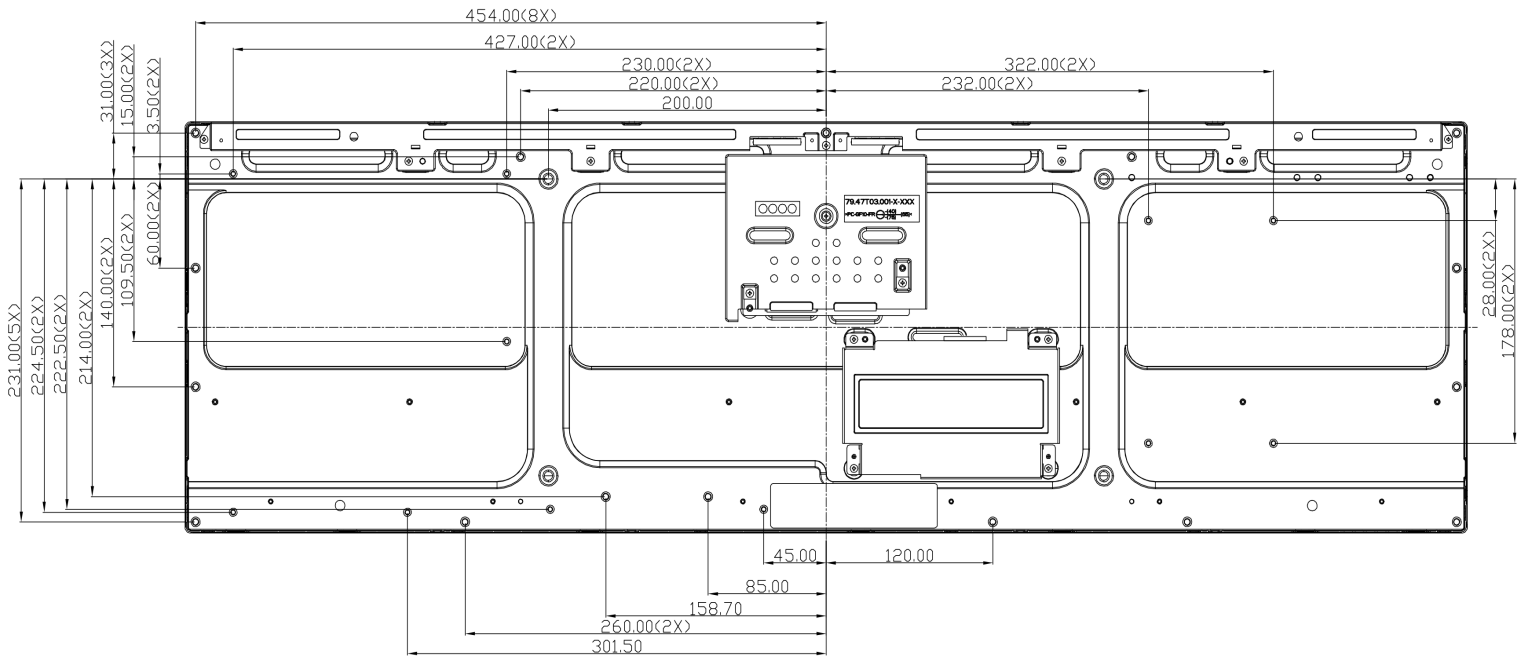
## Mechanical Drawing

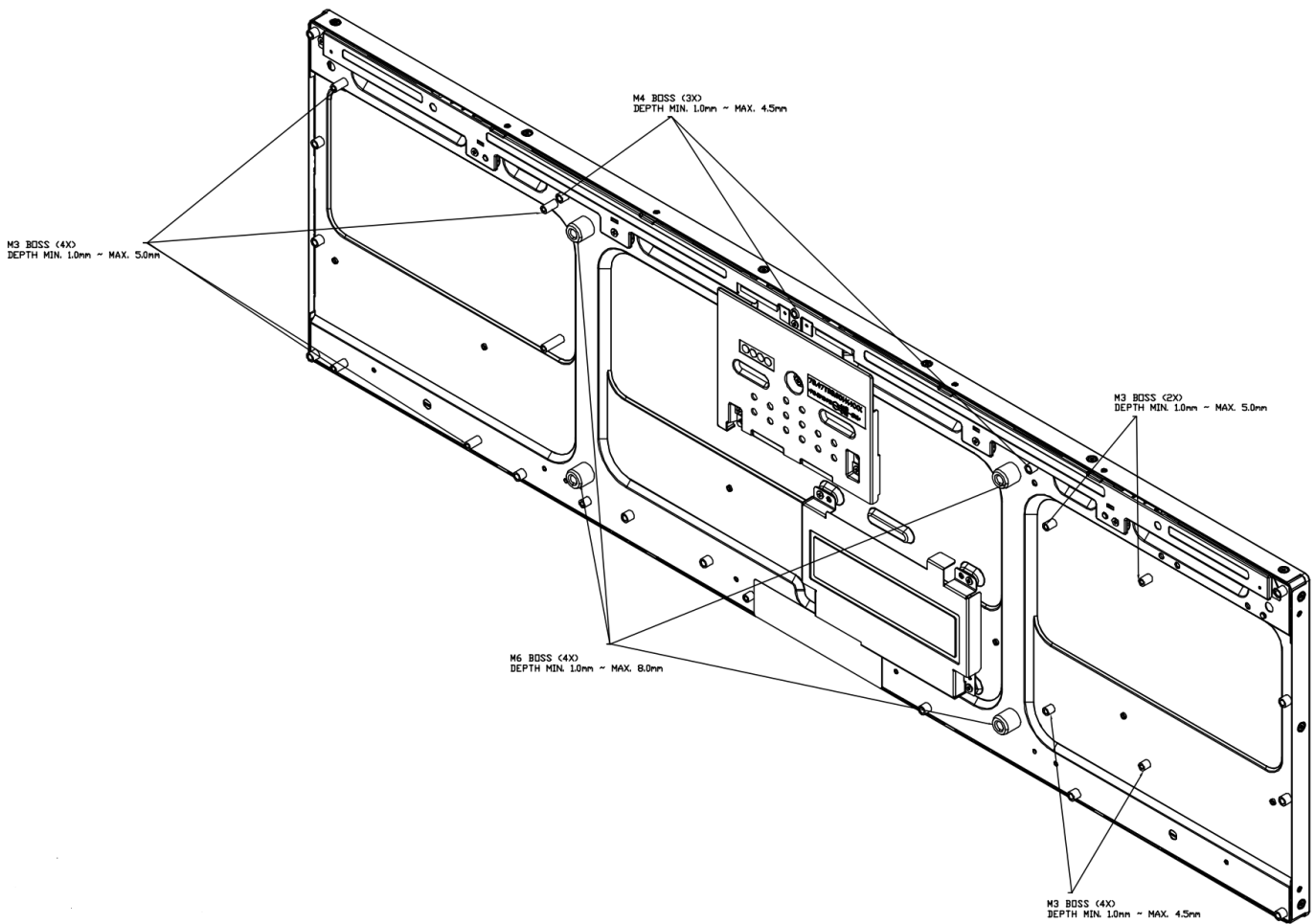
### Outline Dimensions

Unit:mm









Note :

- 1.CN1:JAE FI-RTE51SZ-HF
- 2.CN2: JST S14B-PHA-SM3-TB(HF)
- 3.UNSPECIFIED TOLERANCE IS 0.8mm
- 4.TOQUE OF M3 USER HOLE:7kgf-cm MAX.
- 5.TOQUE OF M4 USER HOLE:10kgf-cm MAX.
- 6.TOQUE OF M6 USER HOLE:16kgf-cm MAX.



### Ordering Information

Part Number	Description
SSF3705-YNN-A11	37",1000nits,1920*540,LID on Board,5in1,V2
SSH3705-YNN-Q11	37",1000nits,1920*540,LID on Board,AD8891GDHP,AC100~240V,5in1,V2

### Optional Accessories

Part Number	Description
810618301010	CABLE.POWER.AC.1830mm USA type
810618301090	CABLE,POWER,AC,1830mm Europe type
810618301050	CABLE.POWER.AC.1830mm UK type
810618301170	CABLE.POWER,AC,1830mm Australia type
810618301031	CABLE.POWER.AC.1830mm Japan type

### Customer request

Touch	SCT (Single-Touch), PCT (Multi-Touch)
Glass	Tempered glass, AR coating.....