

Sureview Outdoor Display SVOD Series

SVOD320H30

Slim & Light Design

The Sureview SVOD series is composed of single display with a light and slim design and it can be easily customized to suit various external environments with no need for separate casing.



Easy integration for partner's customized design

Because the Sureview SVOD Series is significantly thinner and lighter than previous designs, it is mount-ready and can be more easily customized for a variety of applications.



Bright & Brilliant

The SVOD series possesses a powerful brightness of 3000nits, providing clear and vivid picture quality even under direct sunlight.



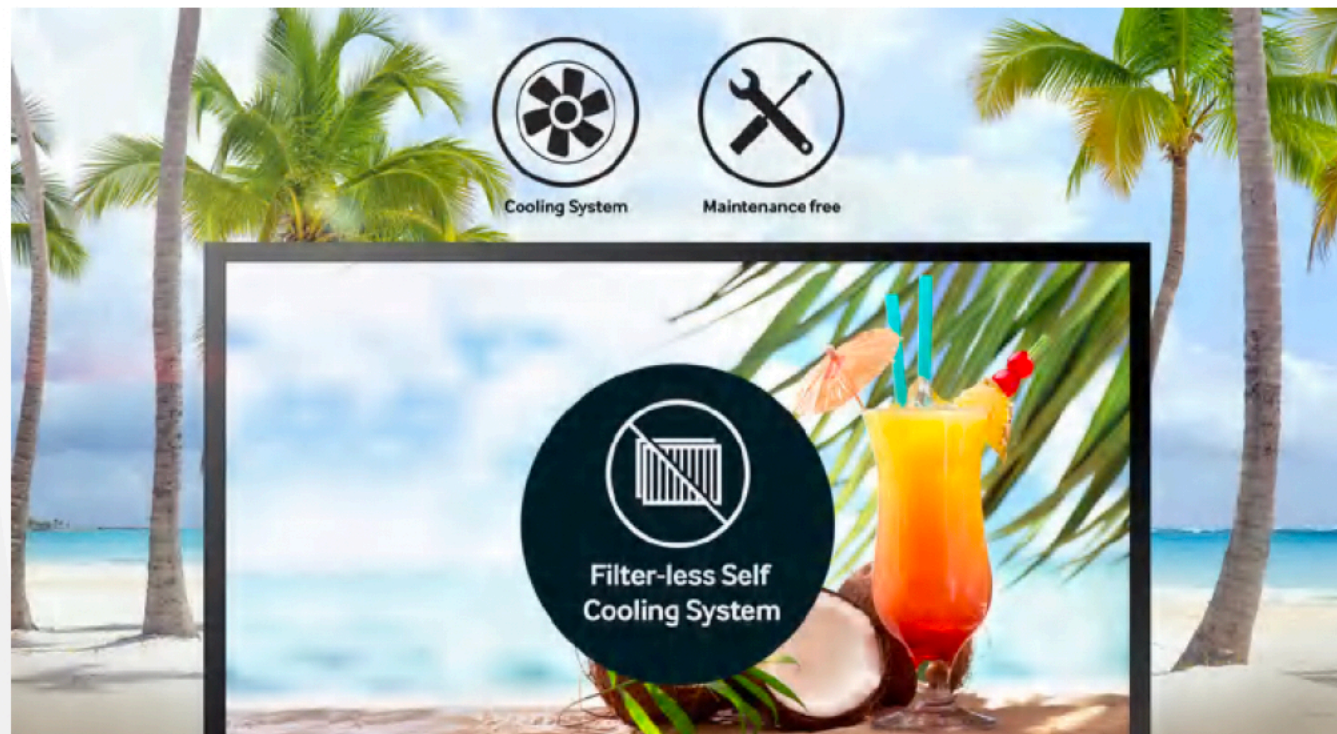
Wide Viewing Angle

IPS technology provides better control of the liquid crystals, which in turn allows the screen to be viewed at virtually any angle.



Energy-Efficient Performance

Through advanced thermal control functionality and a filter-free design, the SVOD Series displays operate at reduced energy consumption. An integrated heat exchanger modifies signage resources depending on the environment, and ultimately cuts costs for operators.



Visible with Polarized Sunglasses

Quarter Wave Plate technology in this display enables clear visibility even when the viewer is wearing polarized sunglasses.



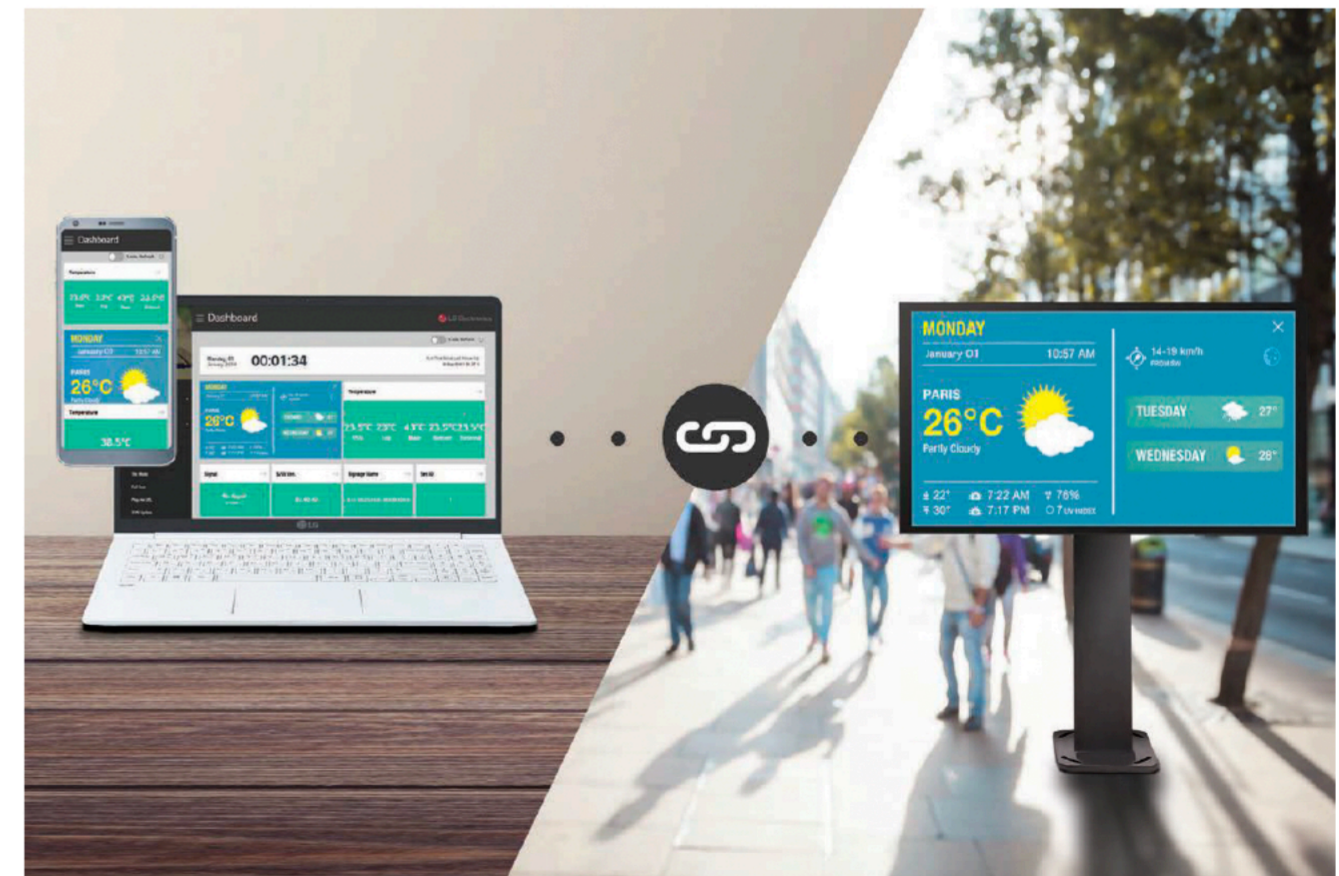
Operate Reliably in Virtually any Environment

Each SVOD Series display undergoes rigorous IP56 ingress defense testing to ensure resistance to dust, heat, moisture and other environmental variables that can impede operations. This includes an integrated self-cooling system that keeps the SVOD Series displays running in temperatures ranging from -30°C (-22°F) to 50°C (122°F). In turn, operators can feel confident in the displays' ability to perform 24/7, and without requiring expensive external cooling systems or security measures.

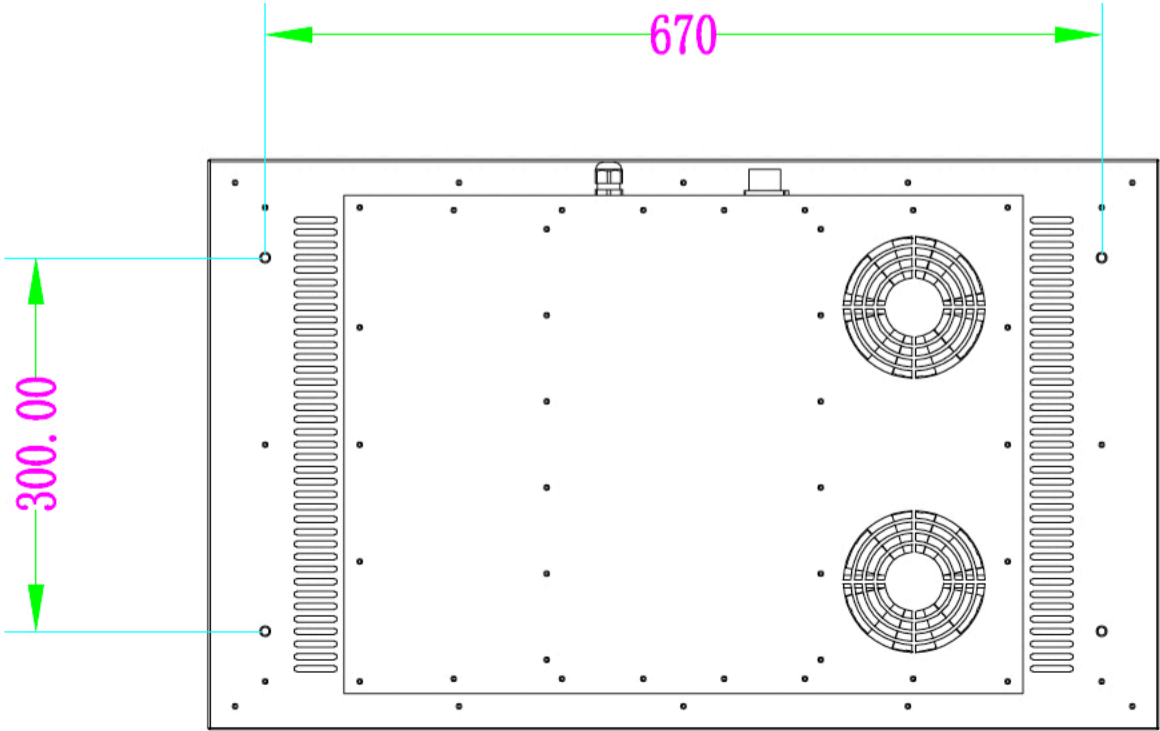
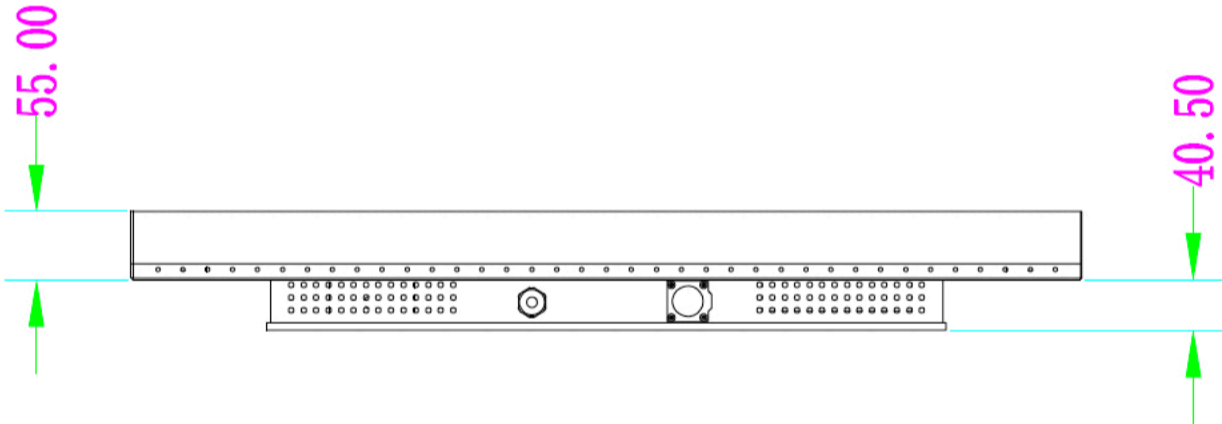
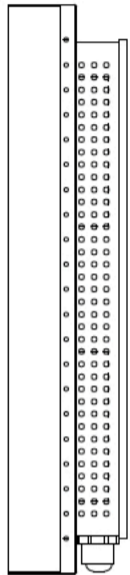
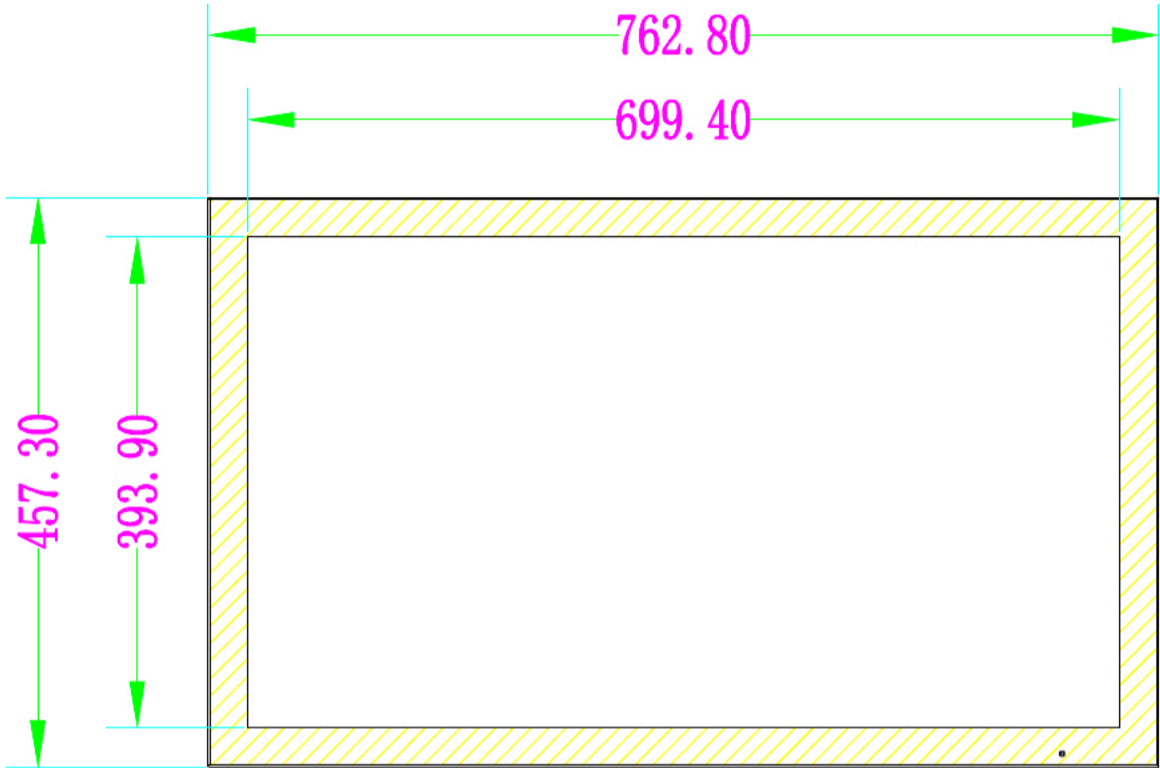


Web Monitoring

The embedded web monitoring allows a variety of parameters to be diagnosed in real time using temperature, pixel, door, ambient light and gyro sensors. It can be easily controlled at all times.



SVOD320H30



SPECIFICATIONS

SVOD320H30

MODEL		SVOD320H30	
Panel	Diagonal Size	Class	32
		Measured	31.55" measured diagonally
	Resolution		1920x1080 (16:9)
	Pixel Pitch(mm)		0.36 x 0.36
	Active Display Area(mm)		698.4(H) x 392.8(V)
	Brightness(Typ.)		3,000 cd/m2
	Contrast Ratio		1,300:1
	Viewing Angle(H/V)		178/178
	Display Colors		8 bit - 16.7M
	Color Gamut		72%
	Operation Hour		7*24
	Touch screen function		Non Touch Screen
Display	Dynamic C/R		100,000:1
Sound	Speaker Type		N/A
Power	Power Supply		AC 100 - 240 V~ (+/- 10 %), 50/60 Hz
	Max[W/h]		180W
	Dimension (mm)		762.8x457.3x95.5mm
Mechanical Spec	Dimension (mm)	Set	762.8x457.3x95.5mm
		Package	TBD
	Weight (kg)	Set	30.0 kg
		Package	45.0 kg
	Mounting Hole		670x300 (Basic) 700 x 300 (VESA Brack-et Option)
	Protection Glass		5mm Anti-glared Tempered Glass
	Bezel Width (mm)		Even 31.7 mm
Operation	Operating Temperature		-30°C~ 50°C
	Humidity		10~100% (Non-condensing)
	IP Certificate		IP56
Connectivity (Embedded H/W)	Input		HDMI, VGA, DVI, Audio, USB
	Output		/
	Model		BSD E6X.AV HDMI controller
	External Control		Auto-dimming sensor
Accessories	Safety		/
	Included Accessories		Remote Control(w/o battery), AC power plug
	Optional Accessories		Mounting brackets (Wall mount, floor stand)